

# Get More from Your TEM and SEM

Camera Upgrades  
New Analytical Capabilities  
TEM Holders for All Applications  
Cryo Transfer for All EMs  
Cathodoluminescence  
3-D Imaging in SEM and TEM  
Advanced Specimen Preparation

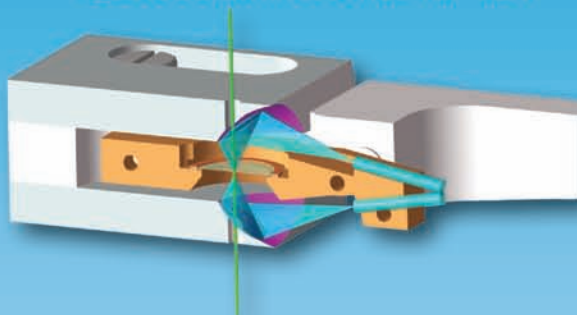
## PIPS<sup>™</sup> II and Ilion<sup>™</sup> II

Specimen Preparation  
for TEM and SEM,  
Reborn



## Vulcan

Cathodoluminescence for TEM



**GIF Quantum<sup>®</sup>**  
Get More, Get EELS



**K2 Summit<sup>™</sup>**  
The One That Counts  
Camera and Energy Filter



www.gatan.com

## Enhancing Electron Microscopy

# FE SEM

## 7000 SERIES

**CHOOSE THE PERFECT FE SEM FOR ALL YOU DO**

- outstanding low kV/low vacuum performance
- high resolution imaging and nanoanalysis of structures, surface details, and magnetic samples
- high stable current with double condenser lens and aperture angle control lens
- multi-port chamber for in situ nanolab utility

*Budget-conscious labs and leading-edge research centers will find the ultra versatility, performance, and support to be the perfect fit.*



EDS

Backscatter

CL

Backscatter

Mixed SEBSE\*

# JEOL

www.jeolusa.com  
salesinfo@jeol.com  
978-535-5900

Solutions for Innovation

[www.jeolusa.com/FESEM](http://www.jeolusa.com/FESEM)



\* Courtesy of Dr. Artur Indzhykulian, Harvard Medical School