

The Journal of
**THE ROYAL
AERONAUTICAL
SOCIETY**



CONTENTS

JANUARY 1951

USE OF WIND TUNNEL MODEL DATA IN AERODYNAMIC
DESIGN

R. HILLS, B.A., A.F.R.Ae.S.

SOME OPERATIONAL PROBLEMS OF PUBLIC TRANSPORT
HELICOPTERS

R. H. WHITBY, B.Sc., A.R.C.S., D.I.C., A.F.R.Ae.S.

MEASUREMENT OF DOWNWASH AT A MACH NUMBER OF
1.45 BEHIND TWO WINGS OF FINITE SPAN

W. F. HILTON, Ph.D.

THE UNIT OF HEAT

REVIEWS

CORRESPONDENCE

CLASSIFIED INDEX OF JOURNAL PAPERS 1927-1950 (ISSUED
AS A SUPPLEMENT)

LONDON

ROYAL AERONAUTICAL SOCIETY, 4 HAMILTON PLACE, W.1

THE AERONAUTICAL QUARTERLY

Volume II MAY 1950 Part I

CONTENTS

- Two-Dimensional Theory of Stiffened Plates *Chang O'Chou*
- The Whirling of a Spinning Top *J. Morris*
- The Possibility of the Determination of Rate of Climb from Acceleration Measurements in Level Flight *E. C. Pike*
- A Note on Subsonic Aerofoil Theory *J. W. Miles*
- Theory of an Oscillating Supersonic Aerofoil *Geoffrey L. Sewell*
- The Linearised Theory of Conical Fields in Supersonic Flow, with Applications to Plane Aerofoils *S. Goldstein and G. N. Ward*

LONDON
ROYAL AERONAUTICAL SOCIETY
4 HAMILTON PLACE W1

10/-

THE AERONAUTICAL QUARTERLY

Volume II AUGUST 1950 Part II

CONTENTS

- Critical Mach Numbers for Swept-Back Wings *S. Neumark*
- General Performance Reduction Equations for Reciprocating-Engined Aircraft with Constant - Speed Propellers *W. J. D. Annard*
- The Axially - Symmetrical Supersonic Flow Near the Centre of an Expansion *N. H. Johannessen and R. E. Meyer*
- Note on the Dependence of Flap Hinge Moment Derivatives on Hinge Position *W. J. Duncan*
- On the Chordwise Lift Distribution at the Centre of Swept Wings *D. Kucheman and J. Weber*

LONDON
ROYAL AERONAUTICAL SOCIETY
4 HAMILTON PLACE W1

10/-

THE AERONAUTICAL QUARTERLY

Volume II NOVEMBER 1950 Part III

CONTENTS

- Beams on Elastic Supports and on Cross-Girders *J. M. Klitchieff*
- Estimation of Range of Jet-Propelled Aircraft *H. Pearson*
- On Non - Steady Motion of Slender Bodies *J. W. Miles*
- Correction of Wind Tunnel Nozzles for Two-Dimensional Supersonic Flow *R. E. Meyer and M. Holt*
- Some Developments of Expansion Methods for Solving Flutter Equations *John Williams*

LONDON
ROYAL AERONAUTICAL SOCIETY
4 HAMILTON PLACE W1

10/-

RESERVED
FOR
PART IV
FEBRUARY 1951

Reduced price to members 7/6 Subscriptions for Volume II are still available

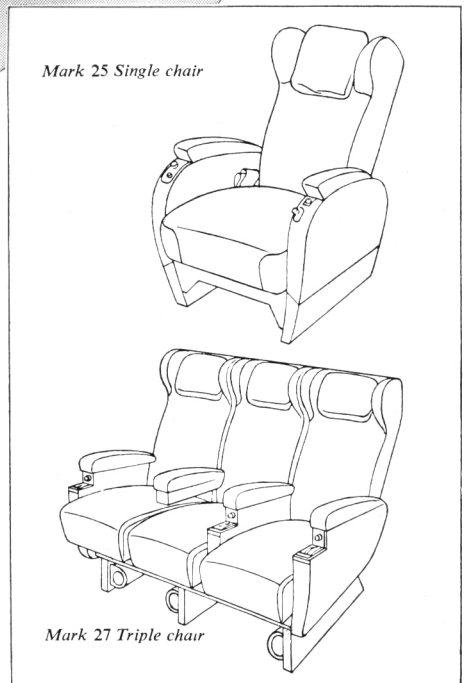


Mark 26 Double chair
with adjustable footrest

AT81

They *all* approve
**VICKERS-ARMSTRONGS
AIRCRAFT CHAIRS**

The designer is mainly concerned with the weight and shape of a chair. The operator requires a chair that will meet the special requirements of the routes on his schedule. The passenger must have complete comfort whether he wishes to relax, read or sit up and admire the view. Because Vickers aircraft chairs satisfy *everyone*, B.O.A.C. have chosen them for the Solent Flying Boats and Hermes, Comet and Argonaut aircraft.



Mark 25 Single chair

Mark 27 Triple chair

VICKERS-ARMSTRONGS LIMITED · AIRCRAFT DIVISION · WEYBRIDGE · SURREY



He thinks the World of **Q-E-A**

TO-DAY'S seasoned traveller knows it's the combination of experience and organisation that makes Q.E.A. service the world's best in the air transport field to-day.

He knows Q.E.A. has come a long way in 30 years—from the time the pilot adjusted the passenger's goggles and heavy leather coat to the time when the Steward or Air Hostess provides a service that leaves nothing to be desired.

Here's what Q.E.A. passengers say—
Mr.....London/Sydney.

"During the period since the cessation of hostilities I have travelled by air to South America, North America, Canada, Africa and parts of Europe, and without reserve this has been the most satisfactory passage."

Mrs.....Sydney/Singapore.

"The many attentions of the excellent Steward and Stewardess are so much appreciated."

Mr.....Karachi/London.

"The Constellation is the most comfortable of the many planes I have been in."

(Original letters on file)

Fly by Q.E.A. Kangaroo Service (in association with B.O.A.C.) from London—via Rome, Cairo, Karachi, Calcutta, Singapore and Djakarta—to Sydney. Alternative route via Bombay and Colombo. Sydney to New Zealand (By TEAL). Sydney to New Guinea, and Pacific Islands. Sydney to Hong Kong. Sydney to Tokyo via Manila.



Qantas Empire Airways

in association with British Overseas Airways Corporation

AUSTRALIA'S INTERNATIONAL AIRLINE

KB



WORLD-WIDE AUTHORITIES

ON EVERY ASPECT OF AVIATION—CIVIL AND MILITARY

FLIGHT Aviation's branches are today so numerous that the specialist who has to keep fully in touch with other people's progress must have up-to-the-minute information on every phase of technical research, development, equipment and operation. He will find it each week in **FLIGHT**—reliable, critically annotated and well illustrated news of the world's military, commercial and private aviation activities.

Thursdays 1s.
Annual subscription £3 1s.

AIRCRAFT PRODUCTION

In aircraft manufacture, as in design, the demands made upon the engineer are severe and often unprecedented. Continuous development of production methods is needed and an intimate knowledge of what is required is essential. Such knowledge can be obtained from the detailed practical articles published regularly in **AIRCRAFT PRODUCTION**, the only specialist journal in its field.

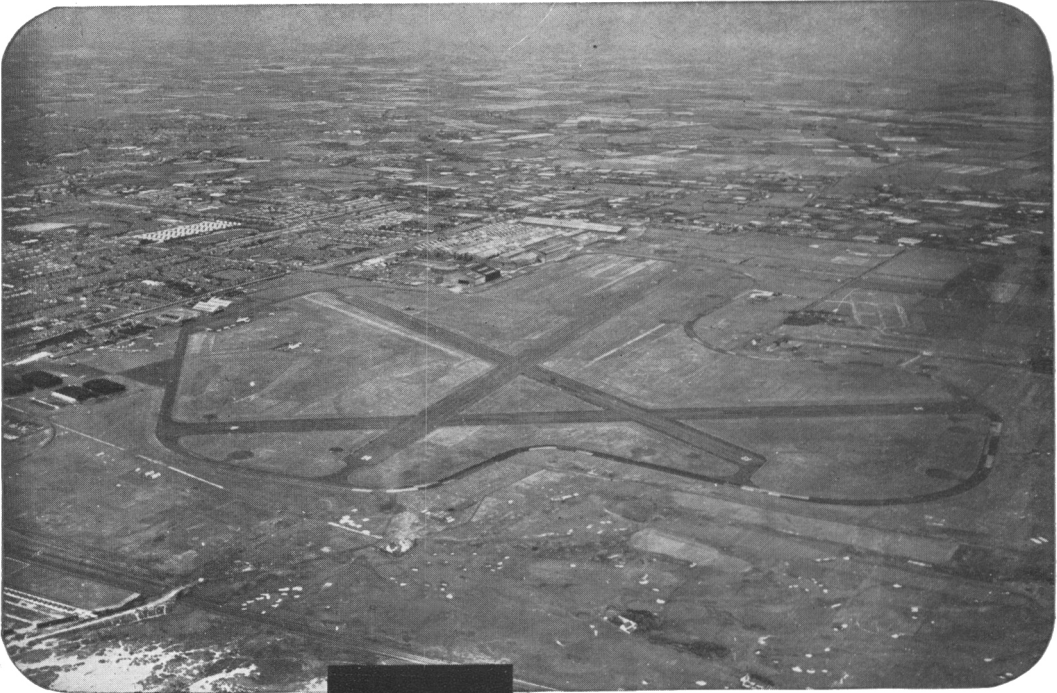
Monthly 2s. 6d.
Annual subscription £1 13s.



ILIFFE AND SONS LIMITED, DORSET HOUSE, STAMFORD STREET, LONDON, S.E.1

v

Do you know your airfields?



6

Recognize this airfield? It's No. 6 in this series of puzzle photographs. You'll find the answer below on the right★

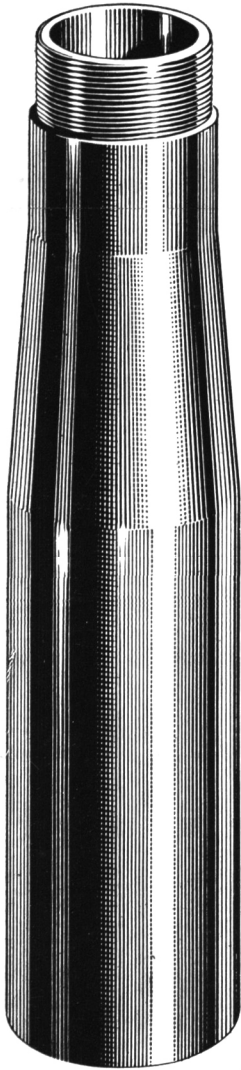
To the pilots of twenty-three international airlines, countless charter companies and flying clubs, the Aircraft Servicing Vehicles of the Shell and BP Aviation Service are a familiar sight. The service is on duty all the year round at twenty-five aerodromes throughout the country.

Shell and BP Aviation Service

Shell-Mex and B.P. Ltd., Shell-Mex House, Strand, W.C.2.

Distributors in the U.K. for the Shell
and Anglo-Iranian Oil Groups.

★Squires Gate, Blackpool



ACCLES & POLLOCK

ARE THE RIGHT
PEOPLE TO GO TO
FOR THE RIGHT
FINISH TO TUBES

STUB AXLE TUBE

by courtesy of

The Fairey Aviation Co. Ltd.

Positively!

ACCLES & POLLOCK LTD · OLDBURY · BIRMINGHAM

MAKERS AND MANIPULATORS OF SEAMLESS TUBES, IN STAINLESS AND OTHER STEELS

A  COMPANY
TBW/PS

of interest to Flying Clubs and Private Owners

Radio and Radar Maintenance needs the attention of experts.

We specialise in the overhaul, repair and test of the following equipment—Marconi, Murphy, Bendix and Collins.

Also V.H.F. by Standard Telephones & Cables, Plessey, Ekco and Cossor.

FLIGHT



REFUELLING LTD (A.R.B. & A.I.D. Approval)

Tarrant Rushton Airfield, Blandford, Dorset. Agents for Ekco, and Plessey V.H.F.

PITMAN

Principles of Aircraft Propulsion Machinery

By Israel Katz, Associate Professor of Mechanical Engineering, Cornell University. An important textbook and reference work giving a comprehensive account of all types of engines and rocket motors, and their application. 35s. net.

The Performance of Civil Aircraft

By F. B. Baker, M.A., A.F.R.Ae.S. Surveys performance principles and characteristics of existing types, while taking into account probable developments as regards gas turbine engines and high altitude flying. 109 illustrations. 35s. net.

Aircraft Engines of the World, 1950

By Paul H. Wilkinson, A.F.I.Ae.S., A.F.R.Ae.S. Contains the most complete and up-to-date information available on jet engines and gas turbines, including commercial turbo-jets. 150 illustrations. 50s. net.

Refuelling in Flight

By C. H. Latimer-Needham, M.Sc.(Eng.)Lond., F.R.Ae.S., M.S.Ae.E., Chief Engineer, Flight Refuelling Ltd. Combines a brief history of Research and Development with a description of the operating techniques employed and an analysis of the economics of flight refuelling. 118 illustrations. 12s. 6d. net.

The Nomogram

By H. J. Allcock and J. Reginald Jones; revised by J. G. L. Michel, A.I.A. Combines a discussion of the general theory with directions for the construction and use of all types of computation charts. Fourth Edition. 18s. net.

PITMAN, Parker St., Kingsway, London WC2

DATA SHEETS

ON

FUELS

AND

LUBRICANTS

(prepared in conjunction with the Institute of Petroleum)

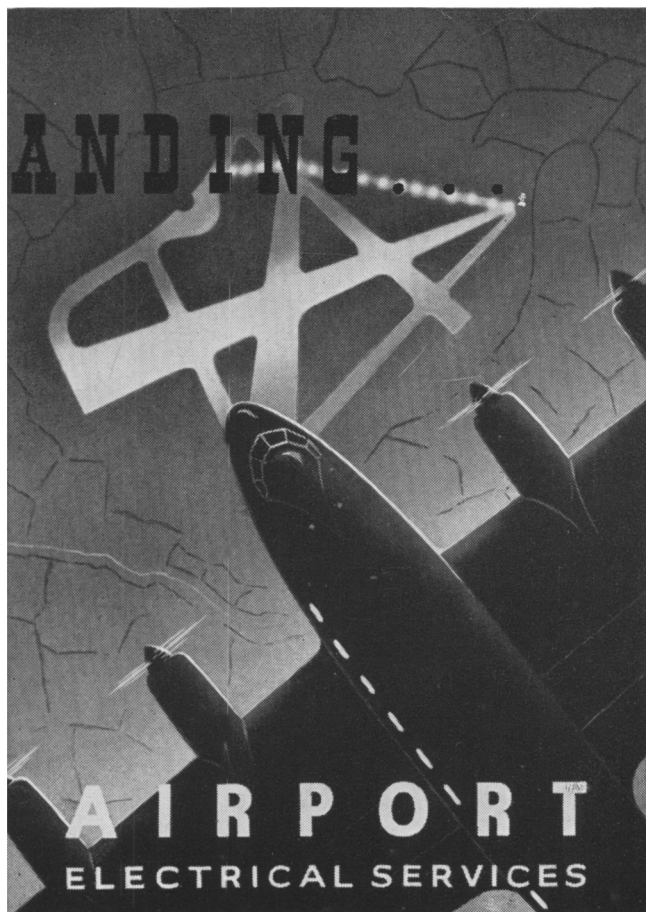
Write for full particulars to:

The Royal Aeronautical Society

4 HAMILTON PLACE, LONDON, W.1.

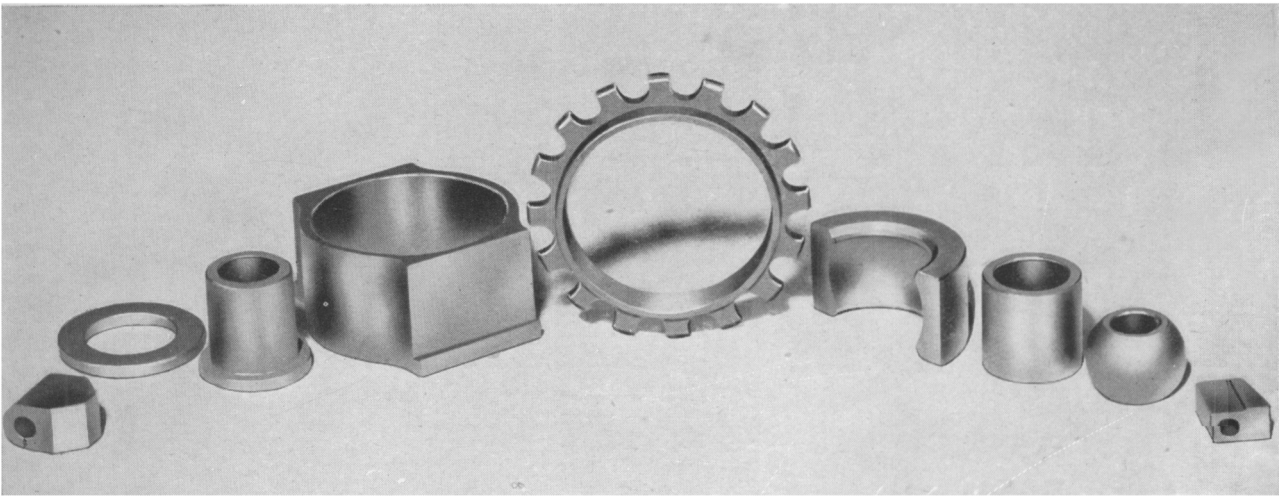
HAPPY LANDING.....

G.E.C.



G.E.C. airport lighting service assists pilots to make successful landings in adverse weather conditions—particular consideration having been directed to equipment for use in bad weather and poor visibility. A G.E.C. installation in accordance with this plan will therefore ensure the highest degree of efficiency and reliability, enabling air transport services to continue without interruption by day and night. The G.E.C. is able to advise on any aspect of this subject, from an emergency landing-strip to the major terminal airport.

The GENERAL ELECTRIC CO. LTD., MAGNET HOUSE, KINGSWAY, LONDON, W.C.2



SINTERED METAL PRODUCTS



Self-lubricating bronze bearings.

Sintered (high-density) iron parts.

Sintered Superload bearings and structural parts.

Cored, solid and plate stock for machining.

Sintered metal filters.

Advantages gained from the above are:

HIGH OIL CONTENT!

ensures continuous lubrication.

HIGH STRENGTH!

oil provides a hydraulic cushion that absorbs shock loads.

NO OIL DRIP!

safe for **TEXTILE & FOOD MACHINERY.**

LOW COST!

OILITE is die-pressed to exact specification —no expensive machining required.

THE MANGANESE BRONZE & BRASS CO. LTD.
ELTON PARK WORKS, HADLEIGH ROAD, IPSWICH.

Telegrams : "OILITE," IPSWICH

Telephone : 55415 55416

x



FOR FORTY YEARS CASTROL HAS BEEN USED BY THE BRISTOL AEROPLANE CO. LTD.

EVERY BRITISH AIRCRAFT RELIES ON PLESSEY

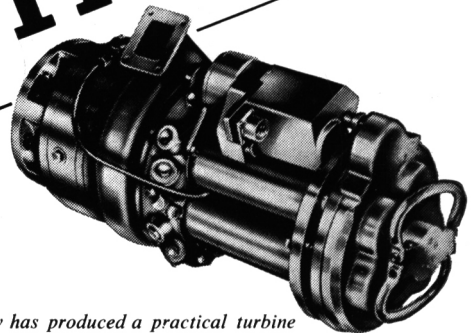


AC2

.. was pioneered by

Plessey

Harnessing the energy of gases released by the burning of a small cartridge, to provide that torque which ensures the immediate starting of any engine, was pioneered by Plessey. The 'S' type starter, for instance, is the simplest and most certain means of starting aircraft engines up to 400 B.H.P. Plessey views on the starting of any aero engine are worth having, and for sound information on any aircraft accessory problem it's advisable to ask Plessey.




★ *And now for quicker starting of gas turbines, Plessey has produced a practical turbine cartridge starter. Technical literature on this or any Plessey product is available on request.*

PUMPS · VALVES · CARTRIDGE STARTERS · 'BREEZE' WIRING SYSTEMS · ELECTRIC ACTUATORS · RADIO COMMUNICATIONS

THE PLESSEY COMPANY LIMITED · ILFORD · ESSEX

Leaders of an *Industry*

Responsible for a third of the RAF's wartime aircraft and more than ever leaders to-day — with a personnel of 38,000 and unmatched facilities for design, research and production — the Hawker Siddeley Group is the largest organisation of its kind in the world.



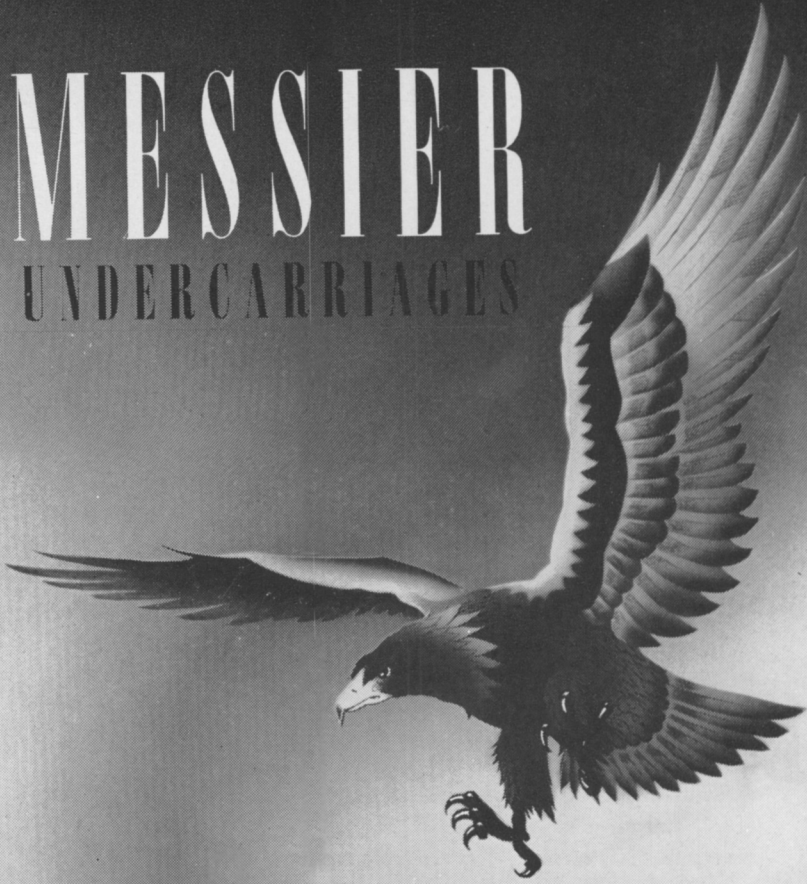
SIR W. G. ARMSTRONG WHITWORTH AIRCRAFT LTD
ARMSTRONG SIDDELEY MOTORS LTD.
GLOSTER AIRCRAFT CO. LTD. · A. W. HAWKSLEY LTD.
HAWKER AIRCRAFT LTD. · HIGH DUTY ALLOYS LTD.
A. V. ROE & CO. LTD. · A. V. ROE CANADA LTD.
AIR SERVICE TRAINING LTD.

the Hawker Siddeley *Group*
LTD

18 St. James's Square, London, S.W.1. Tel: Whitehall 2064

MESSIER

UNDERCARRIAGES



... a perfect landing

Twenty-two years experience in the design of hydraulic landing gear for aircraft is incorporated in every Messier undercarriage design.

BRITISH MESSIER LTD · GLOUCESTER

BM 5