

# The JOURNAL of NAVIGATION

VOL. 31, NO. 1

JANUARY

1978

<b>The Navigational Requirements for Ocean Cable Laying</b> PRESIDENTIAL ADDRESS BY SIR EDWARD FENNESSY	1
<b>Early Dead Reckoning Navigation</b> C. H. COTTER	20
<b>Testing a Modern Strike Aircraft Navigation System</b> J. B. V. COLLINS	29
<b>Aeronautical Chart Servicing</b> W. A. ROSENKRANS	39
<b>Depth Sounding from the Air by Laser Beam</b> J. E. CLEGG AND M. F. PENNY	52
<b>Navigation in the English Channel and the Southern North Sea</b> J. PATON	62
<b>Collision Avoidance Behaviour and Uncertainty</b> J. R. RIEK	82
<b>Ship Performance in Rough Weather</b> A. R. J. M. LLOYD	93
<b>Traffic Models for use in Vessel Traffic Systems</b> M. D. CILETTI	104
<b>The Estimation of Losses Resulting from Marine Accidents</b> Y. FUJII	117
<b>Drift Angle and its Consequences in Ship Manoeuvres</b> K. MEURS	126
<b>Dynamic Simulation: A Tool in Research on Human Behaviour in Navigation</b> A. LAZET AND H. SCHUFFEL	133
<b>Estimating Speed and Angle of Impact in Collision Cases</b> T. D. HELLESØE	141
<b>FORUM</b>	
Single-handed Voyages and the Collision Regulations L. R. FOSTER, H. G. HASLER, J. D. SLEIGHTHOLME, A. N. COCKCROFT AND A. WEPSTER	149
A New Navigation Computer M. W. RICHEY	157
English Channel Traffic Control I. C. VENDRELL	161
<b>Record</b>	162

---

THE ROYAL INSTITUTE OF NAVIGATION  
AT THE ROYAL GEOGRAPHICAL SOCIETY  
1 KENSINGTON GORE LONDON SW7 2AT

---

SCOTTISH ACADEMIC PRESS LTD., 33 MONTGOMERY STREET, EDINBURGH EH7 5JX

---

THE ROYAL INSTITUTE OF NAVIGATION

*Patron*

H.R.H. THE PRINCE PHILIP DUKE OF EDINBURGH, K.G., K.T., O.M.

*OFFICERS AND COUNCIL 1977-8*

*President*

Sir Edward Fennessy, C.B.E.

*Vice Presidents*

Captain R. Maybourn  
S. Ratcliffe

*Honorary Treasurer*

Mrs. Mary Pera

*Chairman of the Technical Committee*

Dr. J. F. Kemp

*Chairman of the Membership & Fellowship Committee*

Rear Admiral D. W. Haslam, O.B.E.

*Other Members of Council*

Prof. A. N. Black	Miss A. M. Ferrar
Captain B. J. Calvert	Captain K. D. Jones
Group Captain D. Clare, D.F.C., R.A.F. (ret)	Lieut. Commander P. Le Pla, R.N. Captain A. M. MacLean
Captain G. Dudley	J. W. McIvor
Captain R. K. N. Emden, D.S.C., R.N. (ret)	

---

*Director M. W. Richey, M.B.E.*

---

The Journal of Navigation

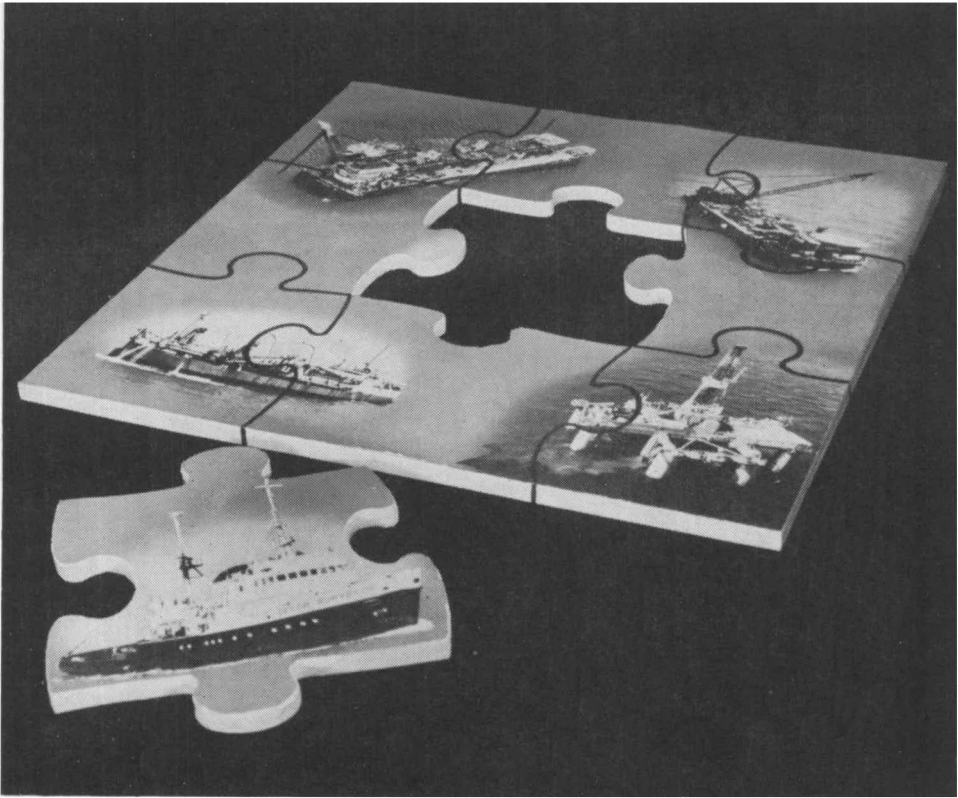
THE *Journal* is published three times a year by the Institute and is edited by M. W. RICHEY. It contains original papers contributing to the science of navigation, including those presented at meetings of the Institute together with the ensuing discussion. In addition the *Journal* includes a record of current navigational work, reviews of important books, and other matters of concern to those interested in navigation. The views expressed in the *Journal* are not necessarily those of the Institute, or of any organization or department to which the authors may belong. Crown Copyright may be reserved.

The *Journal* is issued free to all Members of the Institute. It is sold to the public at four pounds fifty per copy or, by subscription, at fourteen pounds twenty-five per annum (including postage) and may be obtained through all booksellers and Scottish Academic Press Ltd., 33 Montgomery Street, Edinburgh EH7 5JX. Back numbers dated two years prior to the current volume may be obtained from William Dawson & Sons, Ltd., (Back Issues Department), Cannon House, Folkestone, Kent.

Enquiries for advertising space should be addressed to The Advertisement Manager (Noel S. O'Doherty) Lewin House, Dorking Road, Tadworth, Surrey KT20 7RT. (Telephone: Tadworth 3063).

The postal address of the Institute is The Royal Institute of Navigation, at The Royal Geographical Society, 1 Kensington Gore, London SW7 2AT. (Telephone: 01-589 5021).

Volumes of the *Journal* can be bound for three pounds seventy five including postage. The parts should be sent, together with the appropriate remittance, to Fowler-Wilson Bookbinders, Unit 4, Middlefield Industrial Estate, Sandy, Beds.



# We're great at putting everything in its proper place—precisely.

Because positioning is our business. And because we've been doing it for a long time now. For over 30 years, we have been steadily developing and improving electronic positioning aids.

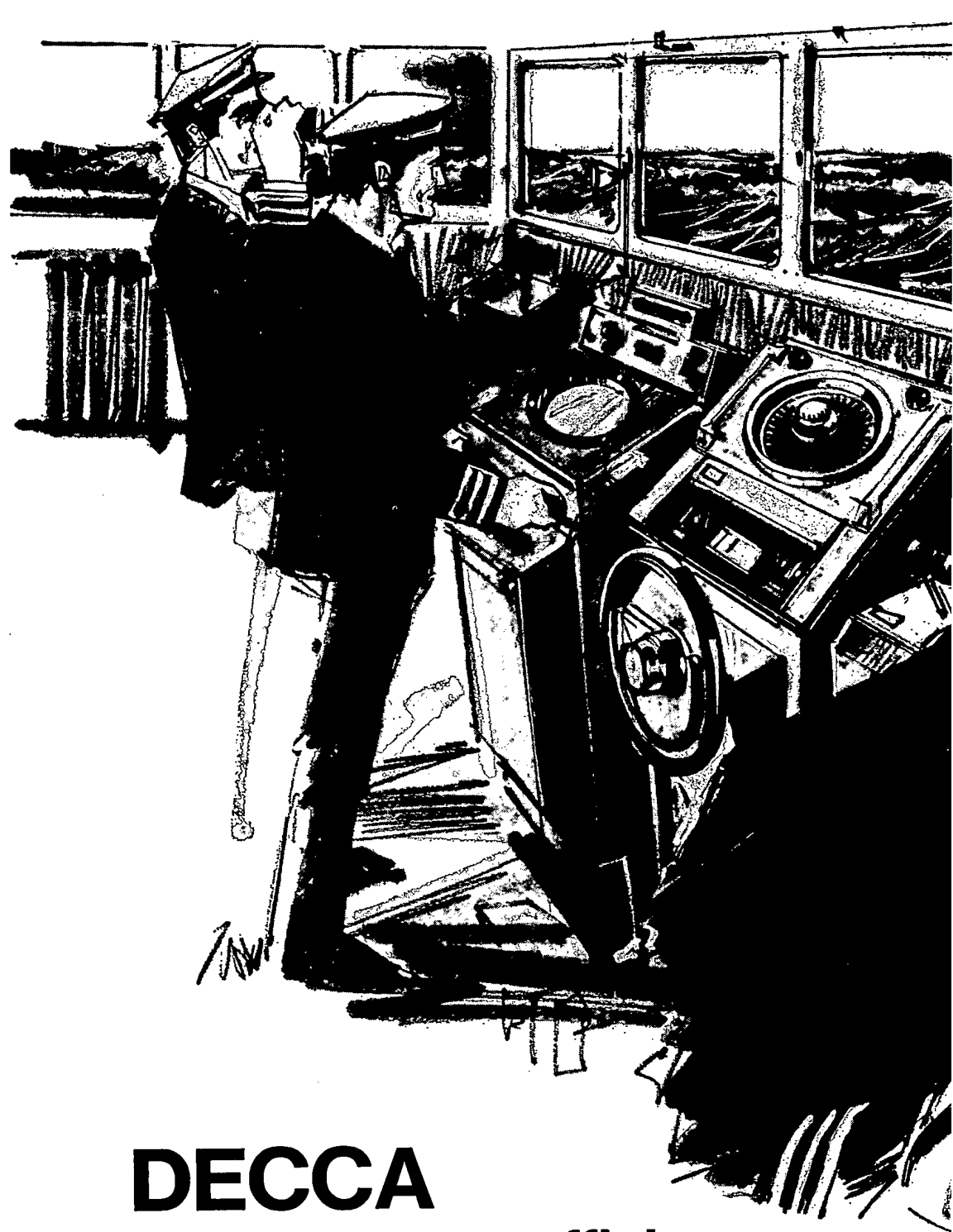
Today, as the Decca Survey Group of companies, we are strategically stationed to provide a comprehensive survey service anywhere on demand. Precisely positioning rigs and platforms in the search for oil and minerals offshore. Undertaking the vital survey work associated with dredging and port and harbour maintenance and

development. And surveying the routes for pipes and cables in the seas and oceans of the world.

We have the most experienced personnel. The most comprehensively fitted vessels. And the most advanced electronic equipment—including acoustic and satellite positioning aids.

Whenever you need precise positioning services, you need us. The Decca Survey Group. In positioning, we're *precisely* the people who matter.

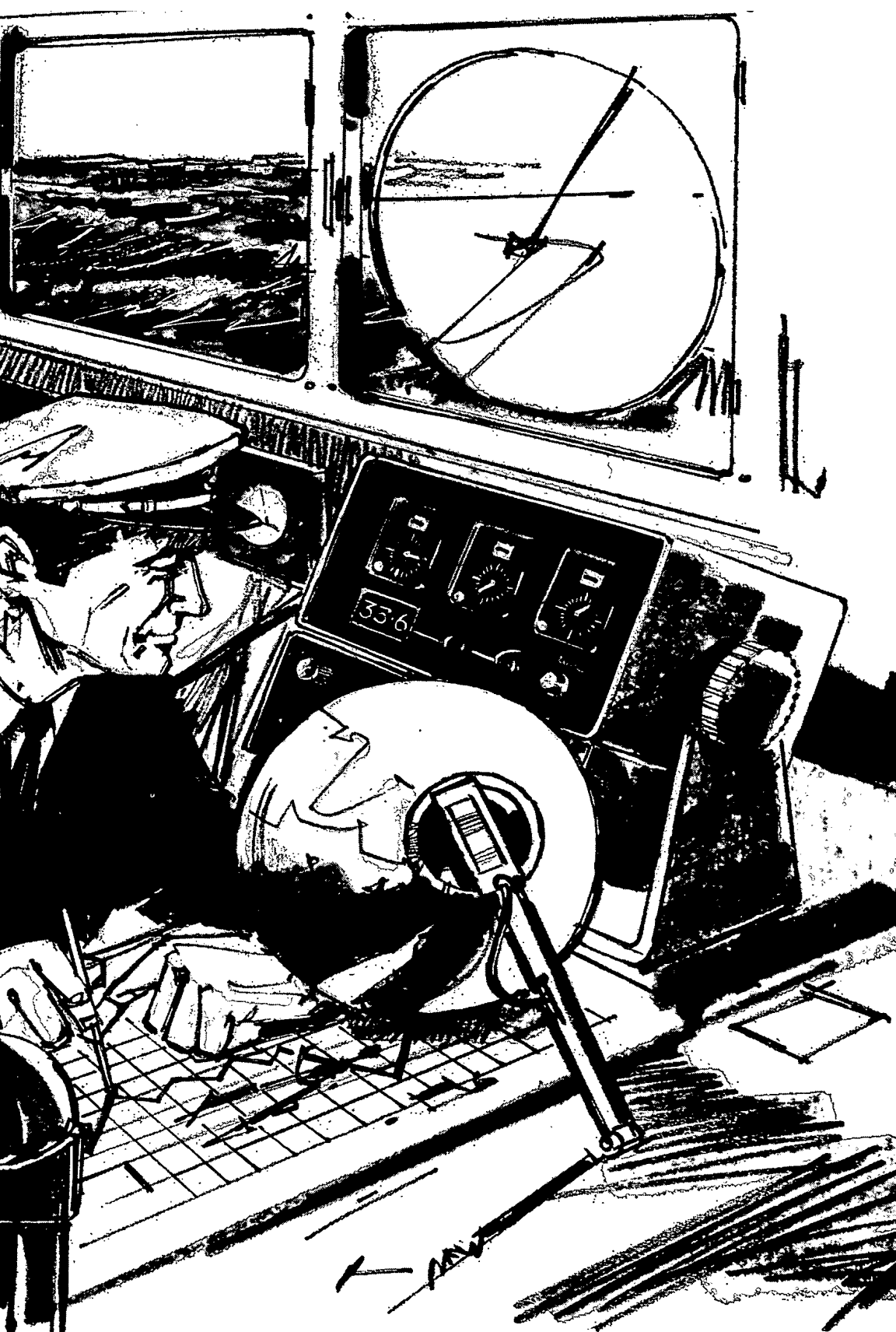
**ds** DECCA SURVEY GROUP  
anytime anywhere



# **DECCA**

**for the greater efficiency  
and safety of ships at sea**

**THE DECCA NAVIGATOR COMPANY LIMITED. DECCA RADAR LIMITED. LONDON**



# Marconi Marine

# SEAHORSE



...the complete  
sounding aid

Marconi Marine's new Seahorse echo-sounder brings together in one unit *all* the sounding aids required by a navigating officer – a highly accurate chart recorder, a clear digital depth indicator, and a shoaling depth alarm. If required it will also operate large, easy-to-read remote displays on the bridge or in cargo control rooms, with either digital or analogue readouts.

Probably the largest chart display in any navigational echosounder provides excellent resolution at all depths from 0 to 1000 metres. Two ranges – 0 to 100 and 0 to 1000 metres – can be selected manually or

automatically. The recorder can be switched off when not required, leaving the digital readout for continuous monitoring. The depth alarm can be pre-set at any depth down to 999 metres. Audio and visual alerts are activated when the depth shoals below the pre-set level.

High reliability and ease of maintenance are outstanding features of this new echosounder. Seahorse is designed to comply with IMCO (Solas 74) regulations for echosounding, the DTI Marine Echosounder Performance Specification 1972, and all known national requirements.

## Marconi Marine navigation

The Marconi International Marine Co. Ltd.

Chelmsford Essex England

Tel (0245) 61701 Telex 99228

A GEC-Marconi Electronics Company



COMMUNICATION  
NAVIGATION  
RADAR  
SOUND AND TV

# BOOKS OF INTEREST ON SHIPPING

## THE ELEMENTS OF NAVIGATION AND NAUTICAL ASTRONOMY

*By Charles H. Cotter*

£16.00

Per post £16.86

## THE OIL RIG MOORINGS HANDBOOK

*By Captain J. Vendrell*

£3.40

Per post £3.63

## BROWN'S NAUTICAL ALMANAC 1978

£7.20

Per post £8.06

## AN INTRODUCTION TO CHARTS AND THEIR USE

*By M. Chriss and G. R. Hayes*

£4.20

Per post £4.56

## COMPASS-WISE or GETTING TO KNOW YOUR COMPASS

*By J. Klinkert, F.R.I.N.*

£5.60

Per post £5.92

**BROWN, SON & FERGUSON, LTD.,**  
**52 DARNLEY STREET, GLASGOW, G41 2SG**

# THE INTERNATIONAL HYDROGRAPHIC REVIEW

Half-yearly, 160 pages (approx), 18×27 cm. Price 50 French francs.\*

Among the papers of navigational interest in the number of  
January 1978 are :

- The impact of automation on hydrographic organisations  
(K. G. BURROWS, M. CALDER)
- Developments in digitising and voice recognition to meet the requirements of hydrography and cartography (J. TOLSON)
- Sound velocity corrections for the North Sea surveyor (R. T. BAILEY)
- The background to IALA buoyage system "A" (J. E. BURY)

PUBLISHED BY THE

**INTERNATIONAL HYDROGRAPHIC BUREAU**

Avenue Président J. F. Kennedy, Monte-Carlo, Monaco

---

The Bureau also publishes monthly

## THE INTERNATIONAL HYDROGRAPHIC BULLETIN

A bi-lingual journal—English and French—giving news of hydrographic activities worldwide. Lists in detail all new charts published by Member States of the International Hydrographic Organization, and contains an extensive monthly bibliography on Oceanography, Navigation, etc.

Approx. 30 pages, 21×30 cm, 6 francs per copy\*.

Yearly subscription : 60 francs.

\*30% reductions for naval & merchant marine officers of IHO Member States ordering direct from the Bureau.





Congratulations to Timothy Severin and the crew of *Brendan* on their historic crossing of the Atlantic. They used HOMER DF.

## **BROOKES & GATEHOUSE LTD**

*Pioneers and world leaders in electronic instrumentation for yachts*  
 Bath Road, Lymington, Hants. Tel: (0590) 74252. Telex 477724

and a branch in the U.S.A. **BROOKES & GATEHOUSE INC**

154 East Boston Post Road, Mamaroneck, New York 10543

### 'NAVIGATION'

*NAVIGATION* (Paris), the quarterly Journal of the French Institute of Navigation, is available to Members of the Institute at the preferential subscription rate of £7.00. The October 1977 issue contains the following papers.

#### I. *LES NOUVEAUTÉS TECHNIQUES*—

- 1.—Mais, au fait, pourquoi pas 1 500 pieds de séparation verticale entre Aéronefs dans les niveaux 300 ? par H. G. BAUDRY
- 2.—Les influences de la propagation sur l'OMEGA par E. R. SWANSON 1ère partie)
- 3.—Les applications du "NAVSTAR GLOBAL positioning system" par E. H. MARTIN

#### II. *CHRONIQUE DU NAVIGANT*—

- 1.—Le contrôle de la navigation maritime dans les rades portuaires par A. DESCOL & P. TOUSSAINT

#### III. *L'HISTOIRE ET LA NAVIGATION*—

- 1.—Radio navigation aérienne et aides à l'atterrissage par K. MAY & G. HOFGREN

#### IV. *INFORMATIONS*—

- 1.—Le X<sup>e</sup> anniversaire de la création du CNEXO
- 2.—Groupe de Travail intercession de l'OMCI sur l'OMEGA différentiel
- 3.—36<sup>e</sup> session du comité de la sécurité maritime (LONDRES 20 AVRIL 1977)
- 4.—Colloque International sur les systèmes électroniques d'aides à la navigation aérienne

#### V. *TRIBUNE LIBRE*—

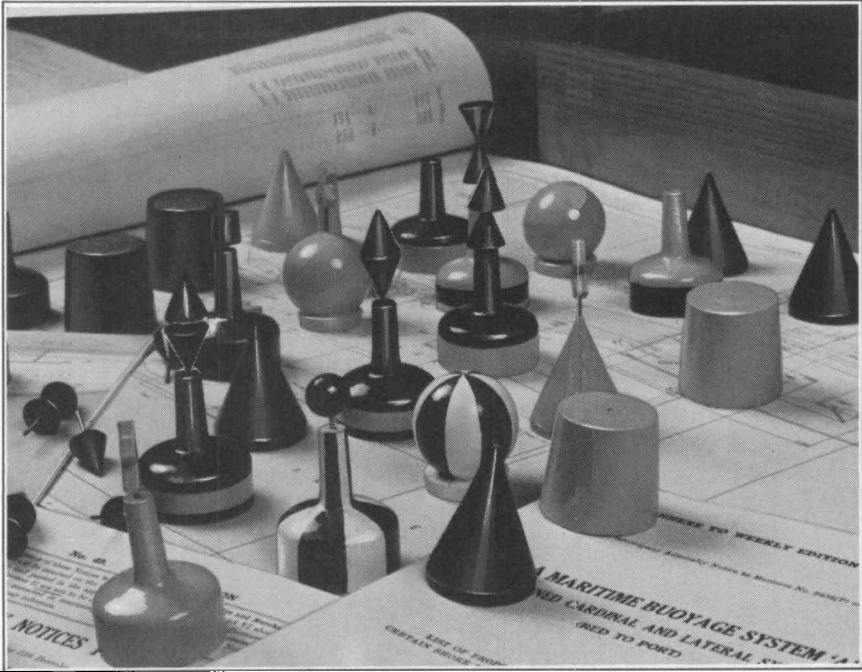
- 1.—Réflexions sur le choix d'un système de radionavigation pour les côtes de France par P.H.

#### VI. *CHRONIQUE DES LIVRES & REVUES*

# I.A.L.A. MARITIME BUOYAGE SYSTEM A

At Potters, updating maritime knowledge is a continuous process. We are a focal point for receiving information and a centre for its dissemination. Notices to Mariners, Tracings to facilitate on board chart correction—New Editions of charts automatically mailed on issue—Statutory Instruments in stock on publication and a full

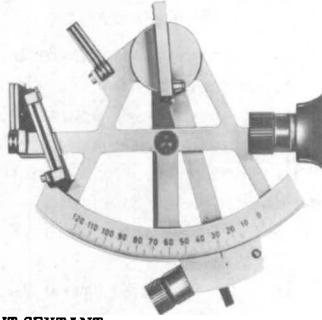
maritime library of books and papers is available to the shipping world with the latest facts, opinions and experiences from authors far and wide. Potters models of the new I.A.L.A. buoyage system for educational purposes is just another example of our continuing effort to provide updated information.



## J. D. POTTER LTD

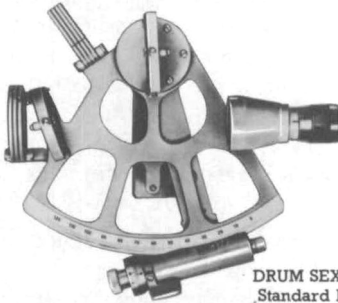
Serving the world of navigation since 1830. J. D. Potter Ltd., 145. Minories, London EC3N 1NH.  
Tel: 01-709 9076 Cables: Adcharts, London EC3N 1NH Telex: 887386. 24 Hour Telephone System.

# NAVIGATION X3 with Veb Carl Zeiss Jena & Freiburger



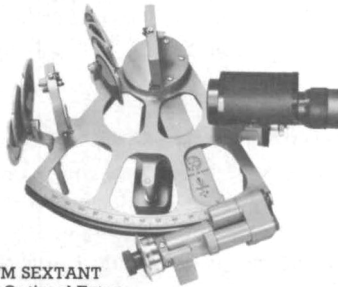
## YACHT SEXTANT

A smaller sextant for the yachtsman. Features include Rubber eyeshade for telescope eyepiece and large index and Horizon mirrors. Telescope magnification x 2.4. Complete with wooden case.



## DRUM SEXTANT Standard Model

A full sized modern style sextant with a number of excellent features including Clamping device (Drum) fully enclosed. Large Horizon and Index mirrors. Certificate of arc errors for every 10°. Optional extra detachable Lighting unit. Telescope magnification x 3.5. Complete with wooden case.



## DRUM SEXTANT with Optional Extras.

e.g. Detachable lighting and extra scope 8 x 30  
Carl Zeiss Jena Prismatic Monocular.

Write for leaflet to:  
Carl Zeiss Jena Ltd.,  
C.Z. Scientific Instruments Ltd.,  
PO Box 43, 2 Elstree Way, Borehamwood,  
Herts, WD6 1NH. Tel: 01-953 1688.

Quality products from the GDR

