



RESEARCH ARTICLE

On the weight zero compactly supported cohomology of $\mathcal{H}_{g,n}$

Madeline Brandt¹, Melody Chan² and Siddarth Kannan³

¹Department of Mathematics, Brown University, Box 1917, Providence, RI 02912; E-mail: madeline_brandt@brown.edu (corresponding author).

²Department of Mathematics, Brown University, Box 1917, Providence, RI 02912; E-mail: melody_chan@brown.edu.

³Department of Mathematics, Brown University, Box 1917, Providence, RI 02912; E-mail: skannan@math.ucla.edu.

Received: 6 September 2023; Revised: 3 April 2024; Accepted: 17 April 2024

2020 Mathematics Subject Classification: Primary – 14H10

Abstract

For $g \geq 2$ and $n \geq 0$, let $\mathcal{H}_{g,n} \subset \mathcal{M}_{g,n}$ denote the complex moduli stack of n -marked smooth hyperelliptic curves of genus g . A normal crossings compactification of this space is provided by the theory of pointed admissible $\mathbb{Z}/2\mathbb{Z}$ -covers. We explicitly determine the resulting dual complex, and we use this to define a graph complex which computes the weight zero compactly supported cohomology of $\mathcal{H}_{g,n}$. Using this graph complex, we give a sum-over-graphs formula for the S_n -equivariant weight zero compactly supported Euler characteristic of $\mathcal{H}_{g,n}$. This formula allows for the computer-aided calculation, for each $g \leq 7$, of the generating function h_g for these equivariant Euler characteristics for all n . More generally, we determine the dual complex of the boundary in any moduli space of pointed admissible G -covers of genus zero curves, when G is abelian, as a symmetric Δ -complex. We use these complexes to generalize our formula for h_g to moduli spaces of n -pointed smooth abelian covers of genus zero curves.

Contents

1	Introduction	2
1.1	The support of $W_0H_c^*(\mathcal{H}_{g,n}; \mathbb{Q})$	4
1.2	Related work on the cohomology of $\mathcal{H}_{g,n}$	4
1.3	Relation to point-counting	5
1.4	Relation to previous work on $\mathcal{M}_{g,n}$	6
1.5	Applications to moduli spaces of admissible G -covers in genus zero	6
2	Pointed admissible G-covers and their moduli	6
2.1	Admissible G -covers	7
2.2	Admissible covers of smooth curves	7
2.3	Pointed admissible covers	9
3	Boundary complexes of pointed admissible G-covers	10
3.1	Categories of covers of graphs	11
3.2	The dual complex of the boundary	13
4	Compactifications of $\mathcal{H}_{g,n}$	15
4.1	The complex $\tilde{\Theta}_{g,n}$	16
4.2	The complex $\Theta_{g,n}$	18
5	Acyclic subcomplexes of $\Theta_{g,n}$	20
5.1	The cellular chain complex of $\Theta_{g,n}$	21
5.2	The homology of $\Theta_{g,n}^{\text{rep}}$	22

5.3 The homology of $\Theta_{g,n}^{\geq 3}$ 24
 5.4 Calculations on $\Theta_{g,n}$ for $n \leq 2$ 25
6 A graph sum formula for h_g **29**
A Calculations for $g \leq 7$ **33**
References **36**

1. Introduction

For integers $g \geq 2$ and $n \geq 0$, let $\mathcal{H}_{g,n} \subset \mathcal{M}_{g,n}$ denote the complex moduli stack of n -marked smooth hyperelliptic curves of genus g . This space is a smooth Deligne–Mumford stack of dimension $2g + n - 1$. The group S_n acts on $\mathcal{H}_{g,n}$ by permuting the marked points, and the rational cohomology groups with compact support $H_c^i(\mathcal{H}_{g,n}; \mathbb{Q})$ are S_n -representations in the category of mixed Hodge structures over \mathbb{Q} . In particular, each cohomology group $H_c^i(\mathcal{H}_{g,n}; \mathbb{Q})$ carries a weight filtration

$$W_0 H_c^i(\mathcal{H}_{g,n}; \mathbb{Q}) \subset W_1 H_c^i(\mathcal{H}_{g,n}; \mathbb{Q}) \cdots \subset W_{4g+2n-2} H_c^i(\mathcal{H}_{g,n}; \mathbb{Q}) = H_c^i(\mathcal{H}_{g,n}; \mathbb{Q}),$$

which is preserved by the S_n -action. In this paper, we study the S_n -representation defined by the weight zero piece of this filtration.

When X is a smooth and separated variety or Deligne–Mumford stack, Deligne’s weight spectral sequence [26, §3.2] computes the associated graded pieces of the weight filtration on the compactly supported cohomology of X . It identifies the weight zero piece with the reduced cohomology of the dual complex of any normal crossings compactification of X . We will furnish a normal crossings compactification of $\mathcal{H}_{g,n}$ using the theory of pointed admissible $\mathbb{Z}/2\mathbb{Z}$ -covers, as developed by Abramovich–Vistoli [3], Abramovich–Corti–Vistoli [2] and Jarvis–Kaufmann–Kimura [36], following Harris–Mumford’s original theory [32]. Denoting the dual complex of the resulting boundary divisor by $\Theta_{g,n}$, we then study the weight zero compactly supported cohomology of $\mathcal{H}_{g,n}$ via the identification

$$W_0 H_c^i(\mathcal{H}_{g,n}; \mathbb{Q}) \cong \tilde{H}^{i-1}(\Theta_{g,n}; \mathbb{Q}) \tag{1.1}$$

mentioned above, where \tilde{H}^* denotes reduced cohomology. Along the way, we also explicitly determine the dual complex of the boundary in any space of pointed admissible G -covers of genus zero curves, for abelian groups G (Theorem 3.5).

Our main result concerns the S_n -equivariant weight zero compactly supported Euler characteristic

$$\chi^{S_n}(W_0 H_c^*(\mathcal{H}_{g,n}; \mathbb{Q})) := \sum_{i=0}^{4g+2n-2} (-1)^i \text{ch}_n(W_0 H_c^i(\mathcal{H}_{g,n}; \mathbb{Q})) \in \Lambda,$$

where $\text{ch}_n(\cdot)$ denotes the *Frobenius characteristic* of an S_n -representation: this is an element of the ring

$$\Lambda = \varprojlim \mathbb{Q}[x_1, \dots, x_n]^{S_n}$$

of symmetric functions, which encodes the character of the representation. See [38] or [45] for more on symmetric functions and the Frobenius characteristic.

For each $g \geq 2$, we define

$$h_g := \sum_{n \geq 0} \chi^{S_n}(W_0 H_c^*(\mathcal{H}_{g,n}; \mathbb{Q}))$$

to be the generating function for these equivariant Euler characteristics. Note that h_g is an element of $\hat{\Lambda}$, the degree completion of Λ . In Theorem A below, we prove a sum-over-graphs formula for the generating function h_g . The precise definition of the terms in the formula can be found in Section 6. For now, we only remark that $T_{2g+2}^{<3}$ is a finite set of trees, and given such a tree C , there is a canonically

associated vertex-weighted graph P_C which can roughly be understood as a ‘tropical double cover’ of C ; see Section 4 for details on this perspective.

Theorem A. *We have*

$$h_g = \sum_{C \in T_{2g+2}^{<3}} \frac{(-1)^{|E_C|}}{|\text{Aut}(P_C)|} \sum_{\tau \in \text{Aut}(P_C)} \text{sgn}(\tau|_{E_C}) \prod_{k \geq 1} (1 + p_k)^{f(P_C, \tau, k)},$$

where E_C is the set of edges of the tree C , $p_k = \sum_{n>0} x_n^k \in \hat{\Lambda}$ is the k th power sum symmetric function, and $k \cdot f(P_C, \tau, k)$ is given by the compactly supported Euler characteristic of the set of points in P_C which have orbit of length k , under the action of τ .

Implementing Theorem A on a computer, we are able to compute h_g explicitly for $2 \leq g \leq 7$; see Table A.1. The code is available at [14]. Our data allow us to extract the polynomials $F_n(t) \in \mathbb{Q}[t]$, for each $n \leq 9$, which have the property that $F_n(g) = \chi_c^0(\mathcal{H}_{g,n})$ for each $g \geq 2$, where

$$\chi_c^0(\mathcal{H}_{g,n}) := \sum_{i=0}^{4g+2n-2} (-1)^i \dim_{\mathbb{Q}} W_0 H_c^i(\mathcal{H}_{g,n}; \mathbb{Q})$$

denotes the numerical weight zero compactly supported Euler characteristic. See Proposition C in Section 1.3 below. Also see Figure A.1 in Appendix A for an illustration of Theorem A when $g = 2$; in this case, $T_6^{<3}$ consists of three trees, and their contributions to h_2 can be computed by hand.

Our proof of Theorem A relies on our description of the cellular chain complex of $\Theta_{g,n}$ as a graph complex generated by certain double covers of trees, which are a special case of the theory of graph-theoretic admissible covers we develop in Section 3. We find that several subcomplexes of this graph complex are acyclic; the proofs are given in Section 5. As in earlier work on $\mathcal{M}_{g,n}$ [22], one conceptually important subcomplex is the *repeated marking subcomplex* (i.e., the subcomplex spanned by graph-theoretic admissible covers containing a vertex supporting more than one marking). This subcomplex is acyclic (Theorem 5.5), and after quotienting by it, the resulting chain complex is related to *configuration spaces of distinct points* on graph-theoretic admissible covers; see [10, 11] for related work. Since Theorem A is about Euler characteristics, we may work one graph-theoretic admissible cover at a time, summing the individual contributions. For each individual graph-theoretic admissible cover, we use Proposition 6.3, explained more below, to calculate its contribution. This proves Theorem A.

Proposition 6.3 may be useful in other applications, so we mention it briefly here: it gives a formula for the completed symmetric function

$$\sum_{n \geq 0} \chi_c^{S^n}((\text{Conf}_n(X) \times \Delta^\circ)/G),$$

where X is any finite CW complex, Δ° is an open simplex, G is a finite group, and G acts on X cellularly and on Δ° by permuting vertices. See Section 6. This proposition is closely inspired by a result of Gorsky [31, Theorem 2.5] concerning complex quasi-projective varieties X with an action of a finite group; our specific formulation is a new contribution. In particular, it does not appear in the work of Chan–Faber–Galatius–Payne on the top weight cohomology of $\mathcal{M}_{g,n}$, where an alternate argument, which is less geometric, is used [20, Proposition 3.2].

Now let us turn our attention to individual cohomology groups, rather than Euler characteristics. First, for $n = 0, 1, 2$ and 3 , the cohomology of $\mathcal{H}_{g,n}$ was completely computed by Tommasi [46]; see Section 1.2. The consequences of these computations for the weight zero part of cohomology with compact supports can be interpreted via our work as statements about chain complexes of graph-theoretic admissible covers. In Section 5, we prove some of these statements, using the acyclicity results mentioned above. In particular, we deduce the following facts, first proved by Tommasi:

Proposition B. For all $g \geq 2$, we have

1. $W_0H_c^i(\mathcal{H}_{g,n}; \mathbb{Q}) = 0$ for all i , when $n \leq 1$;
2. When $n = 2$, we have

$$W_0H_c^{2g+1}(\mathcal{H}_{g,2}; \mathbb{Q}) \cong \mathbb{Q}.$$

As an S_2 -representation, we have

$$W_0H_c^{2g+1}(\mathcal{H}_{g,2}; \mathbb{Q}) \cong \begin{cases} \text{triv} & \text{if } g \text{ is even} \\ \text{sgn} & \text{if } g \text{ is odd.} \end{cases}$$

Part (1) of Proposition B is established via a spectral sequence argument, similar to the ones we use for acyclicity of other subcomplexes of $\Theta_{g,n}$. For part (2), we write down an explicit cellular cycle on $\Theta_{g,2}$ corresponding to the nonzero class in $W_0H^{2g+1}(\mathcal{H}_{g,2}; \mathbb{Q})$; see Figure 11 in Section 5. Tommasi shows additionally that $W_0H_c^i(\mathcal{H}_{g,2}; \mathbb{Q}) = 0$ for $i \neq 2g + 1$, but we do not see how to prove this directly using our graph complex, nor have we investigated whether we can use our methods to re-derive $W_0H_c^*(\mathcal{H}_{g,3}; \mathbb{Q})$ for all g .

1.1. The support of $W_0H_c^*(\mathcal{H}_{g,n}; \mathbb{Q})$

It is worth noting that the weight zero compactly supported cohomology of $\mathcal{H}_{g,n}$ is supported in at most two degrees. Precisely,

$$W_0H_c^i(\mathcal{H}_{g,n}; \mathbb{Q}) = 0 \quad \text{unless} \quad i = 2g - 2 + n \text{ or } i = 2g - 1 + n. \tag{1.2}$$

We now explain the claim (1.2), which follows from an argument we learned from D. Petersen. To sidestep stack-theoretic issues, let us momentarily replace $\mathcal{H}_{g,n}$ by its coarse moduli space $H_{g,n}$; this is inconsequential on the level of rational cohomology. It is well known that H_g is affine, as it can be identified with the quotient $\mathcal{M}_{0,2g+2}/S_{2g+2}$. In general, $H_{g,n}$ is not far from affine; as explained by D. Petersen in a MathOverflow post [24], the affine stratification number [43] of $H_{g,n}$ is 1 for all $n > 0$. By [43, Corollary 4.19] and a suitable comparison theorem for étale cohomology [39, Theorem 21.1], we may conclude that

$$H^i(\mathcal{H}_{g,n}; \mathbb{Q}) = 0 \text{ for } i > 2g + n, \quad \text{and} \quad H_c^i(\mathcal{H}_{g,n}; \mathbb{Q}) = 0 \text{ for } i < 2g - 2 + n,$$

the latter by Poincaré duality. As the dual complex $\Theta_{g,n}$ of the normal crossings compactification of $\mathcal{H}_{g,n}$ by pointed admissible $\mathbb{Z}/2\mathbb{Z}$ -covers is a generalized cell complex of dimension $2g - 2 + n$ (Section 3), the claim (1.2) follows immediately from (1.1).

Thus, our formula for h_g is a formula for the difference of the two S_n -representations in (1.2) and can be used to bound the multiplicities of Specht modules appearing in them individually. We have not investigated whether h_g is, in fact, a cancellation-free formula for this difference.

1.2. Related work on the cohomology of $\mathcal{H}_{g,n}$

Recently, there have been a number of significant advances on the geometry of moduli spaces of pointed hyperelliptic curves. Canning–Larson study the rational Chow ring of $\mathcal{H}_{g,n}$ – in particular, determining it completely for $n \leq 2g + 6$ [16]. Their results also have implications for rationality of $\mathcal{H}_{g,n}$. More generally, there has been progress on understanding the birational geometry of $\mathcal{H}_{g,n}$; see, for example, the overview and references in that paper. In another direction, Bergström–Diaconu–Petersen–Westerland [7] compute the stable homology of braid groups with coefficients in (any Schur functor applied to) the Burau representation. These results have implications for the stable homology of moduli spaces of hyperelliptic curves with twisted coefficients. They can also be related to the Serre spectral sequence on

rational cohomology for the fiber bundle $\text{Conf}_n(S_g) \rightarrow \mathcal{H}_{g,n} \rightarrow \mathcal{H}_g$, as C. Westerland has explained to us. Our focus here is the cohomology groups of $\mathcal{H}_{g,n}$ with (untwisted) \mathbb{Q} -coefficients, and specifically the weight zero compactly supported cohomology groups.

The topological Euler characteristic of $\mathcal{H}_{g,n}$ has been computed by Bini [13], but his techniques are not compatible with the weight filtration. Gorsky [30] calculates the equivariant Euler characteristic

$$\chi^{S_n}(\mathcal{H}_{g,n}) := \sum_{i=0}^{4g+2n-2} (-1)^i \text{ch}_n(H^i(\mathcal{H}_{g,n}; \mathbb{Q}))$$

by fibering $\mathcal{H}_{g,n}$ over \mathcal{H}_g . The fiber of this morphism over a point of \mathcal{H}_g representing a curve C is equal to $\text{Conf}_n(C)/\text{Aut}(C)$. Gorsky proceeds by stratifying \mathcal{H}_g by the S_n -equivariant Euler characteristic of the fibers and then calculating the Euler characteristic of each stratum. Our techniques are similar in spirit to Gorsky's. The S_n -equivariant weight zero compactly supported Euler characteristic of $\mathcal{H}_{g,n}$ is equal to $h_n - \chi^{S_n}(\Theta_{g,n})$, where $h_n \in \Lambda$ is the n th homogeneous symmetric function. As explained above, we first remove an acyclic locus from $\Theta_{g,n}$ and then stratify the remaining space in terms of configuration spaces of graphs, summing up these contributions to give our formula (Section 6).

1.3. Relation to point-counting

Bergström [6] studies the cohomology of $\mathcal{H}_{g,n}$ via point-counting: for all $g \geq 2$, he gives an algorithm to determine the count of \mathbb{F}_q -points of $\mathcal{H}_{g,n}$ for $n \leq 7$ and for all prime powers q . Together with the results of [8], Bergström's work implies that for odd q , the number of \mathbb{F}_q -points of $\mathcal{H}_{g,n}$ agrees with a polynomial $P_{g,n}(q)$ for $n \leq 9$ (there is a different polynomial for even q). By [33, Theorem 6.1.2(3)], we have an equality

$$P_{g,n}(q) = \sum_{j=0}^{2g+n-1} \chi_c^{2j}(\mathcal{H}_{g,n})q^j,$$

where

$$\chi_c^k(\mathcal{H}_{g,n}) := \sum_{i=0}^{4g+2n-2} (-1)^i \dim_{\mathbb{Q}} \text{Gr}_k^W H_c^i(\mathcal{H}_{g,n}; \mathbb{Q}),$$

and

$$\text{Gr}_k^W H_c^i(\mathcal{H}_{g,n}; \mathbb{Q}) := W_k H_c^i(\mathcal{H}_{g,n}; \mathbb{Q}) / W_{k-1} H_c^i(\mathcal{H}_{g,n}; \mathbb{Q})$$

is the k th associated graded piece of the weight filtration. In particular, the constant term of $P_{g,n}(q)$ is equal to the weight zero compactly supported Euler characteristic. Bergström's original work [6] is S_n -equivariant, and we have confirmed that our data agree with his for $n \leq 7$. He has explained to us that [6, Theorem 5.2] and [8] imply that for each $n \leq 9$, there exists a polynomial $F_n(t) \in \mathbb{Q}[t]$, with degree bounded by $n - 2$ if n is even and $n - 3$ if n is odd, such that

$$\chi_c^0(\mathcal{H}_{g,n}) = F_n(g)$$

for all g . With these bounds on the degrees, our formula allows us to compute this polynomial for all $n \leq 9$, using the data in Table A.3. The polynomials $F_n(t)$ can certainly be calculated from Bergström's work but did not explicitly appear there, so we record them below. In each case, the degree of $F_n(t)$ attains the communicated bound.

Proposition C. *We have $\chi_c^0(\mathcal{H}_{g,n}) = 0$ for $n \in \{0, 1, 3\}$, while $\chi_c^0(\mathcal{H}_{g,2}) = -1$. For $4 \leq n \leq 9$, we have the following:*

$$\begin{aligned}\chi_c^0(\mathcal{H}_{g,4}) &= g(1 - g) \\ \chi_c^0(\mathcal{H}_{g,5}) &= 5g(-1 + g) \\ \chi_c^0(\mathcal{H}_{g,6}) &= \frac{1}{8}g(198 - 203g + 18g^2 - 13g^3) \\ \chi_c^0(\mathcal{H}_{g,7}) &= \frac{7}{4}g(-78 + 83g - 18g^2 + 13g^3) \\ \chi_c^0(\mathcal{H}_{g,8}) &= \frac{1}{4}g(3420 - 3784g + 1355g^2 - 1005g^3 + 25g^4 - 11g^5) \\ \chi_c^0(\mathcal{H}_{g,9}) &= \frac{9}{4}g(-2700 + 3092g - 1545g^2 + 1195g^3 - 75g^4 + 33g^5).\end{aligned}$$

1.4. Relation to previous work on $\mathcal{M}_{g,n}$

Our calculations are a new step in understanding weight zero compactly supported rational cohomology of moduli spaces via combinatorics of normal crossings compactifications [1, 15, 21, 22, 20]. In our calculation of h_g , we proceed in a similar fashion to Chan–Faber–Galatius–Payne [20], who calculate the S_n -equivariant weight zero Euler characteristic of $\mathcal{M}_{g,n}$. They use the dual complex $\Delta_{g,n}$ of the Deligne–Mumford–Knudsen compactification $\mathcal{M}_{g,n} \subset \overline{\mathcal{M}}_{g,n}$, which can be interpreted as a tropical moduli space of curves [1]. They express the generating function

$$z_g := \sum_{n \geq 0} \chi^{S_n}(W_0 H_c^*(\mathcal{M}_{g,n}; \mathbb{Q}))$$

as a sum over contributions from configuration spaces of graphs. The contribution from each graph is a sum of monomials in the inhomogeneous power sum symmetric functions $P_i := 1 + p_i$, of degree equal to the topological Euler characteristic of the graph. A crucial difference between their work and ours, which has been an unexpected subtlety here, is that they find that the only graphs contributing to their formula are connected with first Betti number g . As such, their formula for z_g is a Laurent polynomial in the P_i 's, homogeneous of degree $1 - g$, where P_i has degree i . The ability to focus on graphs with fixed Euler characteristic is a significant conceptual aid to their work. In contrast, we find that while all of the graphs contributing to h_g are connected double covers of metric trees, they do not have fixed first Betti number, so their topological Euler characteristics vary, and indeed for $g \geq 3$, the formulas for h_g are not homogeneous in the P_i 's. When $g = 2$, we have $\mathcal{H}_{2,n} = \mathcal{M}_{2,n}$, so $h_2 = z_2$ is homogeneous of degree -1 .

1.5. Applications to moduli spaces of admissible G -covers in genus zero

While our main focus in this paper is the moduli space $\mathcal{H}_{g,n}$, our techniques are more general. As mentioned above, Theorem 3.5 in Section 3 contains a description of the dual complex of the boundary divisor in any moduli space of pointed admissible G -covers of genus zero curves, when G is an abelian group. We specialize to $G = \mathbb{Z}/2\mathbb{Z}$ in order to study $\mathcal{H}_{g,n}$. We can prove a generalization of Theorem A to more general moduli spaces of pointed G -covers; see Remarks 5.13 and 6.6, and Theorem D in Section 6.

2. Pointed admissible G -covers and their moduli

In this section, we recall moduli spaces of pointed admissible G -covers, following [3, 2, 32, 36]. We determine the connected components of these spaces when $g = 0$ and G is abelian (Proposition 2.4), and we give a normal crossings compactification (Proposition 2.5). Later, in Section 3, we will determine the dual complex of this compactification. Ultimately, we will obtain a normal crossings compactification of $\mathcal{H}_{g,n}$ and the corresponding dual complex as a special case in Section 4.

2.1. Admissible G-covers

Let G be a finite group, and let $g, n \geq 0$ be integers such that $2g - 2 + n > 0$. We recall the notion of an *admissible G-cover* of nodal curves of type (g, n) over an arbitrary base scheme T ([36, Definition 2.1], [2, Definition 4.3.1]). It is the data of an n -marked, stable genus g curve (C, p_1, \dots, p_n) over T , and a covering of nodal curves $\phi: P \rightarrow C$ with an action of G on P leaving ϕ invariant, such that

1. ϕ is a principal G -bundle away from the nodes and markings of C ,
2. The analytic local equations for $P \rightarrow C \rightarrow T$ at a point $p \in P$ over a node of C are

$$\text{Spec } A[z, w]/(zw - t) \rightarrow \text{Spec } A[x, y]/(xy - t^r) \rightarrow \text{Spec } A,$$

where $t \in A, x = z^r$ and $y = w^r$ for some integer $r > 0$.

3. The analytic local equations for $P \rightarrow C \rightarrow T$ at a point $p \in P$ over a marked point of C are

$$\text{Spec } A[z] \rightarrow \text{Spec } A[x] \rightarrow \text{Spec } A,$$

where $x = z^s$ for some integer $s > 0$.

4. If $x \in P$ is a geometric node, then the action of the stabilizer G_x of x on the tangent spaces of the two analytic branches at x is *balanced*: the characters of these two one-dimensional representations of G_x are inverse to each other.

Admissible G -covers of type (g, n) form a Deligne-Mumford stack, denoted $\text{Adm}_{g,n}(G)$; this is a consequence of the identification of $\text{Adm}_{g,n}(G)$ with the space $\mathcal{B}_{g,n}^{\text{bal}}(G)$ of *balanced twisted G-covers* of type (g, n) which is proven in [3] to be a Deligne-Mumford stack. We may write *G-cover* rather than *admissible G-cover* for short.

2.2. Admissible covers of smooth curves

Let $\text{Adm}_{g,n}^\circ(G)$ denote the open substack of G -covers in which the target curve (and hence also the source curve) is smooth. In this section, we will determine the connected components of $\text{Adm}_{g,n}^\circ(G)$ (Proposition 2.1). We will use this result later when determining the connected components of the corresponding space of pointed admissible G -covers.

There is a forgetful map

$$\pi: \text{Adm}_{g,n}^\circ(G) \rightarrow \mathcal{M}_{g,n}$$

sending a G -cover $P \rightarrow (C, p_1, \dots, p_n)$ to the n -pointed curve (C, p_1, \dots, p_n) . The morphism π is étale; this property can be deduced from [9, Theorem 5.1.5], as explained in Proposition 6.5.2 of op. cit. Working over \mathbb{C} , the fiber over (C, p_1, \dots, p_n) is identified with the set

$$\text{Hom}(\pi_1(C - \{p_1, \dots, p_n\}, p_0), G)/G, \tag{2.1}$$

where G acts by conjugation, and $p_0 \in C - \{p_1, \dots, p_n\}$ is any choice of basepoint. There are no other restrictions on the set (2.1); in particular, the source curves P are not required to be connected. An element of the set (2.1) specifies a G -cover of the punctured curve $C - \{p_1, \dots, p_n\}$, which can be extended uniquely over the punctures. Then the data of the morphism π is equivalent to the data of the action of π_1 of the base space $\mathcal{M}_{g,n}$ on the fiber (2.1) above. We shall now consider this action in the case $g = 0$, when the action may be understood via the classical Hurwitz theory of \mathbb{P}^1 . We denote by

$$\mathcal{E}_n^{\text{ni}}(G) := \{(g_1, \dots, g_n) \in G^n : g_1 \cdots g_n = 1\}$$

the set of *Nielsen classes*. We do not impose that g_1, \dots, g_n generate G ; correspondingly, our source curves are not required to be connected. The group G acts by conjugation on $\mathcal{E}_n^{\text{ni}}(G)$, and the elements

of $\varepsilon_n^{\text{ni}}(G)/G$ are called *inner Nielsen classes*. Recall the following relationship between the set (2.1) to the set of inner Nielsen classes: choose loops ρ_1, \dots, ρ_n around p_1, \dots, p_n , respectively, based at p_0 , such that ρ_1, \dots, ρ_n generate $\pi_1(C - \{p_1, \dots, p_n\}, p_0)$ subject only to the relation

$$\rho_1 \cdots \rho_n = 1.$$

Such a choice identifies the set (2.1) with the inner Nielsen classes.

Now the following diagram of pullback squares relates $\text{Adm}_{0,n}^\circ(G)$ to Hurwitz spaces of G -covers.

$$\begin{array}{ccccc} \text{Adm}_{0,n}^\circ(G) & \longrightarrow & \mathcal{H}_{\mathbb{P}^1,n}^G & \longrightarrow & U\mathcal{H}_{\mathbb{P}^1,n}^G \\ \downarrow & & \downarrow & & \downarrow \\ \mathcal{M}_{0,n} & \longrightarrow & \text{Conf}_n(\mathbb{P}^1) & \longrightarrow & \text{UConf}_n(\mathbb{P}^1). \end{array}$$

The spaces above are defined as follows. The configuration spaces (ordered and unordered) of n points in \mathbb{P}^1 are denoted $\text{Conf}_n(\mathbb{P}^1)$ and $\text{UConf}_n(\mathbb{P}^1)$, respectively. The space $U\mathcal{H}_{\mathbb{P}^1,n}^G$ is the moduli space parametrizing sets $S \subset \mathbb{P}^1$ of n points, together with a ramified G -cover $f: P \rightarrow \mathbb{P}^1$ whose branch locus is contained in S . The space $\mathcal{H}_{\mathbb{P}^1,n}^G$ is the ordered version of this space, obtained by pullback. The map $\mathcal{M}_{0,n} \rightarrow \text{Conf}_n(\mathbb{P}^1)$ fixes (p_1, p_2, p_3) to be $(0, 1, \infty)$, for instance.

Proposition 2.1. *If G is abelian, then $\mathcal{H}_{\mathbb{P}^1,n}^G \rightarrow \text{Conf}_n(\mathbb{P}^1)$, and hence also $\text{Adm}_{0,n}^\circ(G) \rightarrow \mathcal{M}_{0,n}$, is a trivial bundle. As a variety, $\text{Adm}_{0,n}^\circ(G)$ is isomorphic to $\mathcal{M}_{0,n} \times \varepsilon_n^{\text{ni}}(G)$.*

Proof. For an arbitrary finite group G , the way in which $U\mathcal{H}_{\mathbb{P}^1,n}^G$ is a covering space over $\text{UConf}_n(\mathbb{P}^1)$ is classically understood, essentially going back to Hurwitz [35]; see [27, p. 547]. The following is a complete description. Let $S = \{s_1, \dots, s_n\}$. For an appropriate choice of basis, $\text{Hom}(\pi_1(\mathbb{P}^1 - S, p_0), G)$ is identified with $\varepsilon_n^{\text{ni}}(G)$. And $\pi_1(\text{UConf}_n(\mathbb{P}^1))$ has a presentation with generators $\gamma_1, \dots, \gamma_{n-1}$, where γ_i interchanges points i and $i + 1$. Furthermore, the generators γ_i act on $\varepsilon_n^{\text{ni}}(G)$ via

$$\gamma_i \cdot (g_1, \dots, g_n) = (g_1, \dots, g_{i-1}, g_i g_{i+1} g_i^{-1}, g_i, g_{i+2}, \dots, g_n).$$

In the case that G is abelian, the action is

$$\gamma_i \cdot (g_1, \dots, g_n) = (g_1, \dots, g_{i-1}, g_{i+1}, g_i, g_{i+2}, \dots, g_n).$$

In other words, the action of $\pi_1(\text{UConf}_n(\mathbb{P}^1))$ on $\varepsilon_n^{\text{ni}}(G)$ factors through $\pi_1(\text{UConf}_n(\mathbb{P}^1)) \rightarrow S_n$. Passing to the *ordered* configuration space, we therefore obtain a trivial action of the spherical braid group $\pi_1(\text{Conf}_n(\mathbb{P}^1))$ on $\varepsilon_n^{\text{ni}}(G)$, proving the claim. \square

Remark 2.2. Stack-theoretically, we have

$$\text{Adm}_{0,n}^\circ(G) \cong \mathcal{M}_{0,n} \times [\varepsilon_n^{\text{ni}}(G)/G] \tag{2.2}$$

if G is abelian, where G acts trivially on $\varepsilon_n^{\text{ni}}(G)$. Under this identification, write

$$\text{Adm}_{0,n}^\circ(G; g_1, \dots, g_n) \tag{2.3}$$

for the connected component of $\text{Adm}_{0,n}^\circ(G)$ corresponding to the Nielsen class (g_1, \dots, g_n) ; it is isomorphic to $\mathcal{M}_{0,n} \times BG$.

2.3. Pointed admissible covers

We study spaces of pointed admissible covers and determine the connected components of these spaces in Proposition 2.4. This is an important calculation toward the computation of the connected boundary strata in Theorem 3.5 since the boundary strata of spaces of pointed admissible covers are quotients of products of smaller spaces of pointed admissible covers.

Let G be any group, not necessarily abelian. Let $\overline{\mathcal{M}}_{g,n}^G$ denote the space of n -marked pointed admissible G -covers of genus g [36]. It is a moduli space for nodal admissible G -covers $P \rightarrow (C, p_1, \dots, p_n)$, together with a choice of a lift \tilde{p}_i on P of each p_i . The open substack $\mathcal{M}_{g,n}^G$ is the moduli space of pointed admissible G -covers in which source and target are smooth. Summarizing, we have a Cartesian square

$$\begin{CD} \mathcal{M}_{g,n}^G @>{\subset}>> \overline{\mathcal{M}}_{g,n}^G \\ @V{\pi}VV @VV{\pi}V \\ \text{Adm}_{g,n}^\circ(G) @>{\subset}>> \text{Adm}_{g,n}(G) \end{CD}$$

which lays out the unfortunate lack of parallelism in the notation for these spaces. The notation comes from the literature, however.

Proposition 2.3. *The morphisms $\mathcal{M}_{g,n}^G \rightarrow \text{Adm}_{g,n}^\circ(G)$ and $\overline{\mathcal{M}}_{g,n}^G \rightarrow \text{Adm}_{g,n}(G)$ are étale.*

For easy reference, we prove Proposition 2.3 below. We note, however, that the argument appears as part of the proof in [36, Theorem 2.4] of the fact that $\overline{\mathcal{M}}_{g,n}^G$ is a smooth Deligne-Mumford stack, flat, proper and quasi-finite over $\overline{\mathcal{M}}_{g,n}$.

Proof. We verify the second statement, which implies the first. Recall the construction of $\overline{\mathcal{M}}_{g,n}^G$, which we summarize following [36]. Let $E \rightarrow \mathcal{C} = [E/G]$ denote the universal source curve and stacky target curves, respectively, over $\text{Adm}_{g,n}(G)$, and let C denote the coarse space of \mathcal{C} . For $i = 1, \dots, n$, let $\mathcal{S}_i \rightarrow \mathcal{C}$ denote the closed substack of \mathcal{C}^{sm} whose image in C is the universal i^{th} marked point; \mathcal{S}_i is an étale gerbe over $\text{Adm}_{g,n}(G)$. Let $E_i = E \times_{\mathcal{C}} \mathcal{S}_i$. We have the following diagram, whose top square is Cartesian and where the morphisms known to be étale are labeled:

$$\begin{CD} E_i @>>> E \\ @V{\text{ét}}VV @VV{\text{ét}}V \\ \mathcal{S}_i @>>> \mathcal{C} = [E/G] \\ @. @VVV \\ @. C \\ @. @VVV \\ @. \text{Adm}_{g,n}(G) \end{CD}$$

(Note: A diagonal arrow labeled 'ét' also points from \mathcal{S}_i to $\text{Adm}_{g,n}(G)$.)

The morphism $E_i \rightarrow \text{Adm}_{g,n}(G)$ is étale since it is a composition of $E_i \rightarrow \mathcal{S}_i$, which is a pullback of an étale morphism and hence étale, and the étale gerbe $\mathcal{S}_i \rightarrow \text{Adm}_{g,n}(G)$. Therefore,

$$\overline{\mathcal{M}}_{g,n}^G = E_1 \times_{\text{Adm}_{g,n}(G)} \cdots \times_{\text{Adm}_{g,n}(G)} E_n$$

is also étale over $\text{Adm}_{g,n}(G)$. □

The spaces $\mathcal{M}_{g,n}^G$ and $\text{Adm}_{g,n}^\circ(G)$ need not be connected, as observed in Remark 2.2. Given $g_1, \dots, g_n \in G$, write $\mathcal{M}_{g,n}^G(g_1, \dots, g_n)$ for the open and closed substack of $\mathcal{M}_{g,n}^G$ in which the monodromy at the marking \tilde{p}_i in the source curve is g_i . We recall the notion of monodromy at a point in the source curve, following [36, §2.1]: pick a small oriented loop around the point p_i in the target curve, say based at a point q_i near p_i . Then the loop lifts to d possible paths between the d preimages of q_i near \tilde{p}_i , where d temporarily denotes the number of sheets of P meeting at \tilde{p}_i . Each of these d paths starts and ends at points x and gx , respectively, for some well-defined $g \in G$. Indeed, this g is independent of choice of one of those d paths since they are each of the form $g^i x$ to $g^{i+1} x$ for $i = 0, \dots, d - 1$. The monodromy at \tilde{p}_i is then defined to be g . (Note that g can depend, a priori, on choice of lift \tilde{p}_i of p_i if G is not abelian. Indeed, the action of any $h \in G$ moves the previously mentioned path near \tilde{p}_i from x to gx to a path near $h\tilde{p}_i$ from hx to $hgx = (hgh^{-1})hx$, so the monodromy at $h\tilde{p}_i$ is hgh^{-1} .)

Proposition 2.4. *Let G be an abelian group. Suppose $g_1 \cdots g_n = 1$, so that $\mathcal{M}_{0,n}^G(g_1, \dots, g_n)$ is nonempty. The connected components of $\mathcal{M}_{0,n}^G(g_1, \dots, g_n)$ are in bijection with orbits of functions*

$$\{1, \dots, n\} \rightarrow G / \langle g_1, \dots, g_n \rangle$$

under left G -translation.

Proof. The restriction of the map $\mathcal{M}_{0,n}^G \xrightarrow{\pi} \text{Adm}_{0,n}^\circ(G)$ to $\mathcal{M}_{0,n}^G(g_1, \dots, g_n)$ becomes a surjection

$$\mathcal{M}_{0,n}^G(g_1, \dots, g_n) \xrightarrow{\pi} \text{Adm}_{0,n}^\circ(G; g_1, \dots, g_n) \cong \mathcal{M}_{0,n} \times BG,$$

where the last isomorphism was established in Proposition 2.1. This morphism is étale by Proposition 2.3.

Now let $P \rightarrow (C, p_1, \dots, p_n)$ be any unpointed admissible cover; the fiber of π over it is the action groupoid on all lifts $\tilde{p}_1, \dots, \tilde{p}_n$ of p_1, \dots, p_n respectively, with the group G acting by simultaneous translation of the \tilde{p}_i . The connected components of $\mathcal{M}_{0,n}^G(g_1, \dots, g_n)$ are in bijection with the orbits of this category under the further action of pure mapping class group $\text{Mod}_{0,n}$. Those orbits are in bijection with orbits of functions $\{1, \dots, n\} \rightarrow \pi_0(P)$ under left G -translation, and $\pi_0(P) \cong G / \langle g_1, \dots, g_n \rangle$. □

It will be convenient to work with pointed curves labeled by arbitrary finite sets. Thus, let G be a finite group, S a finite set, and $\rho: S \rightarrow G$ any function. For $g \geq 0$ with $2g - 2 + |S| > 0$, let

$$\overline{\mathcal{M}}_{g,S}^G(\rho)$$

denote the space of pointed admissible G -covers of genus g curves with specified monodromy ρ . Let $\mathcal{M}_{g,S}^G(\rho)$ denote the open subset parametrizing admissible G -covers in which the target curve is smooth.

Proposition 2.5. *The space $\overline{\mathcal{M}}_{g,S}^G = \coprod_{\rho} \overline{\mathcal{M}}_{g,S}^G(\rho)$ is a normal crossings compactification of $\mathcal{M}_{g,S}^G = \coprod_{\rho} \mathcal{M}_{g,S}^G(\rho)$.*

Proof. This follows from the fact that $\text{Adm}_{g,n}^\circ(G) \subset \text{Adm}_{g,n}(G)$ is a normal crossings compactification, by the proof of [40, §3.23], and $\overline{\mathcal{M}}_{g,S}^G$ is étale over $\text{Adm}_{g,S}(G)$ (Proposition 2.3). □

3. Boundary complexes of pointed admissible G -covers

In this section, we write down the boundary complex for the normal crossings compactification

$$\mathcal{M}_{0,S}^G(\rho) \subset \overline{\mathcal{M}}_{0,S}^G(\rho) \tag{3.1}$$

when G is abelian (Theorem 3.5). This will be used in Section 4 to provide a normal crossings compactification of $\mathcal{H}_{g,n}$ and obtain its boundary complex. The boundary complex is governed by graph-theoretic admissible covers of graphs, which we develop below in §3.1.

The basic notion of an admissible cover in tropical geometry was established in [17] and [18], and hyperelliptic graphs and tropical curves were studied in [5] and [19]. In recent work of Len, Ulirsch and Zakharov, [37], the authors classify harmonic G -covers of a tropical curve for abelian G . More closely related to this paper, the combinatorics of the stratification of admissible covers spaces by dual graphs is in [9, §7]. Building on this, Schmitt–van Zelm define *admissible G -graphs*, which are the graphs with G -action arising as dual graphs to admissible G -covers. They note that a stratum corresponding to an admissible G -graph may be disconnected or empty. They also compute the degree of the map from such a stratum to the moduli space of target curves [44, §3]. Implementations in SageMath are available in the package `admcycles` [25]. Closely related, the notion of a *graph G -cover* associated to a admissible G -cover was developed by Galeotti [28, 29] – see especially [29, §3.1] – for the purpose of studying the birational geometry, and singularities, of (coarse spaces of) moduli spaces of genus g curves with a principal G -bundle. Our definition is a version of these, undertaken in a case when it becomes possible to explicitly determine the combinatorics of the *connected* strata of the boundary. In other words, by putting into place our restrictions on g and G , we are able to give a completely explicit description of the boundary complex of (3.1), which is likely hard in general. See Remarks 3.6 and 3.7 for further comments on the general case and for further discussion of the surrounding literature.

3.1. Categories of covers of graphs

Throughout Section 3, let G be a finite abelian group. In this section, we describe the boundary strata of the compactification

$$\mathcal{M}_{0,S}^G(\rho) \hookrightarrow \overline{\mathcal{M}}_{0,S}^G(\rho),$$

showing in Theorem 3.5 that they are in correspondence with *graph-theoretic admissible G -covers*, which we will now define.

A *graph* $C = (V, H, i_C, r_C)$ is the data of two finite sets of *vertices* $V = V(C)$, and *half-edges* $H = H(C)$, together with maps

$$i_C: H \rightarrow H, \quad r_C: H \rightarrow V$$

such that i_C is an involution. We abbreviate $i = i_C$ and $r = r_C$. We permit i to have fixed points, and let $L = L(C)$ denote the set of fixed elements of i , called *legs*. View r_C as the map taking a half-edge to its incident vertex. The edge set $E = E(C)$ is the set of pairs $\{h, i(h)\}$ for $i(h) \neq h$; view i_C as the ‘other half’ map on the half-edges.

A morphism of graphs $f: C \rightarrow C'$ is given by set maps $f_V: V \rightarrow V'$ and $f_H: H \rightarrow H'$ such that the relevant squares commute:

$$\begin{array}{ccc} H & \xrightarrow{i_C} & H \\ f_H \downarrow & & \downarrow f_H \\ H' & \xrightarrow{i_{C'}} & H' \end{array} \qquad \begin{array}{ccc} H & \xrightarrow{r_C} & V \\ f_H \downarrow & & \downarrow f_V \\ H' & \xrightarrow{r_{C'}} & V'. \end{array}$$

For a finite set S , an S -*marking* of C is an injection $m = m_C: S \rightarrow L(C)$. It will be convenient *not* to require that m is a bijection. A morphism of S -marked graphs $(C, m_C) \rightarrow (C', m_{C'})$ is a morphism of graphs $f: C \rightarrow C'$ that preserves the S -marking (i.e., $f_H \circ m_C = m_{C'}$).

Definition 3.1. Let G be a finite abelian group, and S a finite set. An S -*marked, admissible G -cover of graphs* in genus 0 is

1. A morphism $f: P \rightarrow C$ of S -marked graphs, such that C is a *stable S -marked tree*: for each vertex $v \in V(C)$, we have $|r_C^{-1}(v)| \geq 3$ and that m_C is a bijection between S and the legs of C .

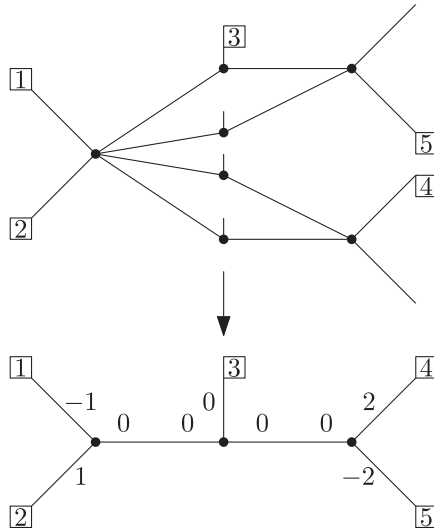


Figure 1. A G -cover of 5-marked graphs, for $G = \mathbb{Z}/4\mathbb{Z} = \{0, 1, 2, 3\}$. The labels of legs are boxed to avoid confusion with the monodromy marking $\mu : H(C) \rightarrow \mathbb{Z}/4\mathbb{Z}$.

2. A left action $\Phi : G \times P \rightarrow P$ leaving $P \rightarrow C$ invariant, such that $P \rightarrow P/G$ is canonically isomorphic to $P \rightarrow C$.
3. A ‘monodromy marking’ $\mu : H(C) \rightarrow G$. Thus, every half edge (including legs) of C is assigned an element of G . If $i(h) \neq h$, we require that $\mu(i(h)) = \mu(h)^{-1}$.
4. A function $g : V(P) \rightarrow \mathbb{Z}_{\geq 0}$; we call $g(v)$ the *weight* or *genus* of v .

The above data must satisfy the following:

- (a) For every $v \in V(C)$, $f^{-1}(v) \cong G/\langle \mu(h) : h \in r^{-1}(v) \rangle$ as left G -sets, and

$$\prod_{h \in r^{-1}(v)} \mu(h) = 1.$$

- (b) For every $h \in H(C)$, $f^{-1}(h) \cong G/\langle \mu(h) \rangle$ as left G -sets.
 (c) (local Riemann-Hurwitz) For all $v \in V(P)$, writing $w = f(v)$ and $n_w = r_C^{-1}(w)$, the genus $g(v)$ of v is given by

$$2 - 2g(v) = |\langle \mu(n_w) \rangle| \left(2 - \sum_{h \in n_w} \frac{|\langle \mu(h) \rangle| - 1}{|\langle \mu(h) \rangle|} \right).$$

We will use the boldface notation $\mathbf{P} \rightarrow \mathbf{C}$ to indicate a graph-theoretic admissible G -cover, with the understanding that this includes all of the data above. When we need to refer to the marking functions, we will write m_P for the marking of P and m_C for the marking of C .

It is clear from condition (c) that the genus function g is determined by the monodromy marking μ as well as the morphism $P \rightarrow C$. Moreover, since C is a tree, the data of C and μ , without the S -marking, actually determine P and Φ up to isomorphism. However, the S -marking on P is not in general determined by the S -marking on C .

If $\mathcal{P} \rightarrow \mathcal{C}$ is an S -marked admissible G -cover of nodal curves, with \mathcal{C} a stable S -marked curve of genus 0, then we obtain a corresponding S -marked admissible G -cover of dual graphs $\mathbf{P} \rightarrow \mathbf{C}$. The meaning of condition (a) is that the subgroup of G stabilizing the generic point of an irreducible component of \mathcal{P} above a given irreducible component \mathcal{C}_v of \mathcal{C} is exactly the subgroup of G generated

by the monodromy elements around the special points (nodes and marked points) on \mathcal{C}_v . Thus, each irreducible component of \mathcal{P} above \mathcal{C}_v maps to \mathcal{C}_v with degree $|\langle \mu(r_C^{-1}(v)) \rangle|$. The content here is that since \mathcal{C}_v is rational, $\pi_1(\mathcal{C}_v)$ is generated by keyhole loops around the special points. Similarly, the data of a homomorphism $\pi_1(\mathcal{C}_v) \rightarrow G$, for appropriately chosen keyhole loops, are the data of an ordered tuple of elements of G whose product is the identity. Condition (b) is similar.

Definition 3.2. Let $\mathbf{P} \rightarrow \mathbf{C}$ and $\mathbf{P}' \rightarrow \mathbf{C}'$ be graph-theoretic S -pointed admissible G -covers.

1. An isomorphism $(\mathbf{P} \rightarrow \mathbf{C}) \rightarrow (\mathbf{P}' \rightarrow \mathbf{C}')$ is the data of G -equivariant graph isomorphisms $\phi: P \rightarrow P'$ and $\psi: C \rightarrow C'$, compatible with the marking functions m_P and $m_{C'}$, as well as the monodromy marking μ , which fit into a commutative square.
2. Let $e \in E(C)$ be an edge. The edge-contraction of $\mathbf{P} \rightarrow \mathbf{C}$, denoted $(\mathbf{P} \rightarrow \mathbf{C})/e$, is obtained by contracting the edge e in C , together with its preimages in P . The new monodromy marking is obtained by restricting the previous one.

Definition 3.3. We write $\Gamma_{0,S}^G$ for the category of all graph-theoretic S -pointed admissible G -covers, where morphisms are given by compositions of isomorphisms and edge-contractions. Given a function $\rho: S \rightarrow G$, we put $\Gamma_{0,S}^G(\rho)$ for the full subcategory of $\Gamma_{0,S}^G$ on those graph-theoretic S -pointed admissible G -covers $\mathbf{P} \rightarrow \mathbf{C}$ such that the monodromy marking on \mathbf{C} extends ρ . Precisely, $\rho = \mu|_{L(C)} \circ m_C$, where $m_C: S \rightarrow L(C)$ is the S -marking on C .

3.2. The dual complex of the boundary

We now state Theorem 3.5 on the boundary complex of the space of pointed admissible covers. Recall the category of symmetric Δ -complexes (see [21]) (i.e., the category $\text{Fun}(\text{FI}^{\text{op}}, \text{Set})$, where FI is the category of finite sets with injections). For $q \geq -1$ an integer, we henceforth write

$$[q] = \{0, \dots, q\}.$$

This notational convention includes the special case $[-1] = \emptyset$. Given $X: \text{FI}^{\text{op}} \rightarrow \text{Set}$ and an integer $q \geq -1$, write

$$X_q = X([q])$$

for the set of q -simplices of X .

Definition 3.4. Fix $g = 0$ and G abelian. For data G, S and ρ as above, we define a symmetric Δ -complex

$$\Delta_{0,S}^G(\rho): \text{FI}^{\text{op}} \rightarrow \text{Set}$$

as follows.

For each $q \geq -1$, the set $\Delta_{0,S}^G(\rho)_q$ is the set of isomorphism classes of pairs $(\mathbf{P} \rightarrow \mathbf{C}, \omega)$, where

1. $\mathbf{P} \rightarrow \mathbf{C}$ is an object of $\Gamma_{0,S}^G(\rho)$
2. $\omega: [q] \rightarrow E(C)$ is a bijection, called an edge-labeling.

An isomorphism of pairs $(\mathbf{P} \rightarrow \mathbf{C}, \omega) \rightarrow (\mathbf{P}' \rightarrow \mathbf{C}', \omega')$ is an isomorphism $(\mathbf{P} \rightarrow \mathbf{C}) \rightarrow (\mathbf{P}' \rightarrow \mathbf{C}')$ such that if $\psi: \mathbf{C} \rightarrow \mathbf{C}'$ is the induced isomorphism on targets, we have $\omega' = \psi \circ \omega$ as maps $[q] \rightarrow E(\mathbf{C}')$.

For morphisms, given $i: [q'] \hookrightarrow [q]$, and given a graph-theoretic admissible cover $\mathbf{P} \rightarrow \mathbf{C}$ as above, contract the edges $E(C) - \omega(i([q']))$ to obtain a new object of $\Gamma_{0,S}^G(\rho)$ and take the unique edge-labeling by $[q']$ which preserves the order of the remaining edges.

Theorem 3.5. Let G be an abelian group, and S a finite set. There is an isomorphism of symmetric Δ -complexes

$$\Delta_{0,S}^G(\rho) \cong \Delta(\mathcal{M}_{0,S}^G(\rho) \subset \overline{\mathcal{M}}_{0,S}^G(\rho)).$$

Proof. Let us start with the stratification of the boundary of $\text{Adm}_{0,S}(G; \rho)$. The space $\text{Adm}_{0,S}(G; \rho)$ is nonempty if and only if $\prod_{s \in S} \rho(s) = 1_G$. The boundary complex of $\text{Adm}_{0,S}(G; \rho) \subset \text{Adm}_{0,S}(G; \rho)$ is the complex of trees C with a bijective S -marking $m: S \rightarrow L(C)$, together with a monodromy marking $\mu: H(C) \rightarrow G$ extending ρ , which must satisfy, for every vertex $v \in V(C)$ and $e = \{h_1, h_2\} \in E(C)$,

$$\prod_{h \in r^{-1}(v)} \mu(h) = 1, \quad \mu(h_1)\mu(h_2) = 1.$$

The stratum of the boundary indexed by such a triple (C, m, μ) is indeed connected since it is, up to finite quotient, isomorphic to a product $\prod_{v \in V(C)} \text{Adm}_{0,n_v}(G; \mu_v)$ of varieties that are themselves connected; see Equation (2.3). More formally, as a symmetric Δ -complex, the boundary complex has a q -simplex for every such datum (C, m, μ) together with an arbitrary bijective edge-labeling $\omega: [q] \rightarrow E(C)$, one for each isomorphism class of (C, m, μ, ω) .

Suppose

$$(C, m: S \rightarrow L(C), \mu: H(C) \rightarrow G)$$

is a stable S -marked tree with monodromy marking μ as above. For $v \in C$, write $n_v = r^{-1}(v)$ for the set of half-edges (including legs) at v , and write

$$G_v = \langle \mu(h) : h \in n_v \rangle.$$

Let μ_v be the restriction of μ to n_v . As noted above, (C, m, μ) indexes a boundary stratum of $\text{Adm}_{0,S}(G; \rho)$. The preimage in $\overline{\mathcal{M}}_{0,S}^G(\rho)$ of this stratum is isomorphic to the variety

$$\prod_{v \in V(C)} \left(\mathcal{M}_{0,n_v}^G(\mu_v) / G^{E(C)} \right), \tag{3.2}$$

for example, by [41, §2]. Let us explain the action of $G^{E(C)}$ in (3.2). For a given edge $e = \{h, h'\}$, incident to vertices v and v' , the copy of G indexed by e acts by translating the lifted marked point indexed by h , respectively h' , in the moduli space $\mathcal{M}_{0,n_v}^G(\mu_v)$, respectively $\mathcal{M}_{0,n_{v'}}^G(\mu_{v'})$. (In general, G would also change the values of the marking functions $\mu_v(h)$ and $\mu_{v'}(h')$, respectively, by conjugation, but G is abelian here.)

The variety (3.2) may not be connected, and it remains to describe its connected components. For each $v \in V(C)$, let

$$X_v = \{\text{Fun}(n_v, G/G_v)\} / G,$$

where the quotient is with respect to the G -action on G/G_v . From Proposition 2.4, the connected components of (3.2) are in bijection with

$$\left(\prod_{v \in V(C)} X_v \right) / G^{E(C)}. \tag{3.3}$$

The last step is a combinatorial identification of (3.3) with the set of isomorphism classes of graph-theoretic S -pointed admissible G -covers. Let us begin by considering local data at a single vertex $v \in V(C)$. Consider an element $f_v \in X_v$, together with the data of $\mu|_{n_v}: n_v \rightarrow G$. From f_v and $\mu|_{n_v}$ we can extract a graph-theoretic n_v -pointed admissible cover involving graphs with legs but no edges. C_v is a single vertex, with legs n_v ; $V(P_v) = G/G_v$ as a left G -set, and above each leg $h \in n_v$ of C is a set of legs in P_v isomorphic to $G/\langle \mu(h) \rangle$, with root map compatible with the map $G/\langle \mu(h) \rangle \rightarrow G/G_v$. Finally, P_v has S -marking given by f_v .

Continue to fix a stable S -marked tree C and monodromy marking μ on C . Now, given $(f_v)_v \in \prod X_v$, we assemble the local picture above into an admissible cover of graphs. For every edge $e = \{h, h'\}$ of C , with root vertices $v = r(h)$ and $v' = r(h')$, the half-edges of P_v above h and the half-edges of $P_{v'}$ above h' are each isomorphic to $G/\langle\mu(h)\rangle = G/\langle\mu(h')\rangle$ as G -sets. There is a unique G -equivariant bijection between these two sets that sends the chosen lift of h to the chosen lift of h' , and another choice of lifts of h and h' produce the same bijection if they are related to the original choices by the same element of G . Therefore, these identifications glue the half-edges above h and h' into edges above e , obtaining a graph-theoretic admissible cover $P \rightarrow C$ which was independent of the action of $G^{E(C)}$. It is straightforward to reverse this process, giving an element of the set (3.3) starting from a graph-theoretic admissible cover. \square

Remark 3.6. Theorem 3.5 furnishes an explicit description of the symmetric Δ -complex

$$\Delta(\mathcal{M}_{g,n}^G \subset \overline{\mathcal{M}}_{g,n}^G) \tag{3.4}$$

when $g = 0$ and G is abelian. It is sufficiently explicit that it can be programmed, and indeed, we carry out computer calculations for the results in Appendix A. Without restrictions on G and g , it is still possible to give a general description of (3.4) using the framework of *graphs of groups*, roughly, decorating vertices of graphs with fundamental groups of punctured curves. This idea will appear in future work by M. Talpo, M. Ulirsch and D. Zakharov; we thank Ulirsch for bringing it to our attention. This general description is not explicit in the above sense. It involves the very interesting sub-question of determining the connected components of the spaces $\mathcal{M}_{g,n}^G$ in general; compare with Proposition 2.1. We also refer to forthcoming work of P. Souza that constructs (3.4) in the case of G cyclic with g arbitrary and identifies it as the nonarchimedean skeleton of the toroidal pair. Moreover, that work is a precursor to further work by Y. El Maazouz, P. Helminck, F. Röhrle, P. Souza and C. Yun studying the homotopy type of boundary complexes of unramified $\mathbb{Z}/p\mathbb{Z}$ covers for $g = 2$.

Remark 3.7. The graph-theoretic admissible G -covers in this paper (Definition 3.1) are exactly what are needed for a precise description of the boundary complex (Theorem 3.5). Thus, they are reasonably expected to be similar to, but distinct from, the spaces of covers of tropical curves appearing in [17], in [18] and the references therein. The work [18] on tropicalizations of the space of admissible covers is an important comparison point for this paper. Rather than G -covers, they study the admissible covers compactification of the Hurwitz space of degree d covers of smooth curves with fixed target genus h and fixed ramification profiles (and hence fixed source genus g) over n marked branch points in the target. All of the inverse images of the branch points are also marked. This moduli space is canonically isomorphic to a cover of a component of the space $\text{Adm}_{h,n}(S_d)$. In [18], the boundary complex, which may be identified with the link of the skeleton of the Berkovich analytification [1], is *compared*, but not identified, with a certain space of tropical admissible covers via a surjective morphism of generalized cone complexes from the former to the latter. The failure of this surjection to be an isomorphism is due to multiplicities fully accounted for in [18, §4.2.4] and is related to Remark 3.6 above.

4. Compactifications of $\mathcal{H}_{g,n}$

Let $g \geq 2$ and $n \geq 0$. Throughout this section, we will fix

$$S = \{1, \dots, n\} \cup \{w_1, \dots, w_{2g+2}\}$$

and fix $G = \mathbb{Z}/2\mathbb{Z} = \{0, 1\}$. We also define $\rho: S \rightarrow \mathbb{Z}/2\mathbb{Z}$ by $\rho(i) = 0$ for all $i \in \{1, \dots, n\}$, and $\rho(w_k) = 1$ for $k \in \{1, \dots, 2g + 2\}$. We will discuss how the stack quotient

$$[\overline{\mathcal{M}}_{0,S}^{\mathbb{Z}/2\mathbb{Z}}(\rho)/S_{2g+2}]$$



$$T = (\{1, \dots, n\} \setminus \{i, j\}) \cup \{w_1, \dots, w_{2g+2}\} \quad U = (\{1, \dots, n\} \setminus \{i\}) \cup (\{w_1, \dots, w_{2g+2}\} \setminus \{w_k\})$$

Figure 2. Two graph-theoretic admissible G -covers, where $G = \mathbb{Z}/2\mathbb{Z} = \{0, 1\}$.

provides a normal crossings compactification of $\mathcal{H}_{g,n}$, and we will give an explicit description of the dual complex $\Theta_{g,n}$ of this compactification. The description will be in terms of the dual complexes studied in the previous section. We first consider the case of labeled Weierstrass points and then quotient out by S_{2g+2} .

4.1. The complex $\widetilde{\Theta}_{g,n}$

First, let $\widetilde{\mathcal{H}}_{g,n}$ denote the moduli stack of hyperelliptic curves of genus g with n distinct marked points and $2g + 2$ labeled Weierstrass points. The symmetric group on $2g + 2$ letters permutes the labels on Weierstrass points, and

$$\mathcal{H}_{g,n} \cong [\widetilde{\mathcal{H}}_{g,n}/S_{2g+2}].$$

In this subsection, we will provide a normal crossings compactification of $\widetilde{\mathcal{H}}_{g,n}$ and give the corresponding dual complex. Then we will quotient out by S_{2g+2} to give a normal crossings compactification of $\mathcal{H}_{g,n}$.

In $\widetilde{\mathcal{H}}_{g,n}$, a marked point i is allowed to coincide with a Weierstrass point, and two marked points are allowed to form a conjugate pair under the hyperelliptic involution. Because of this, two types of graphs will require special attention.

Definition 4.1. We call the following graph-theoretic admissible covers type (1) and type (2), respectively:

1. For distinct $i, j \in \{1, \dots, n\}$, the admissible cover of graphs in Figure 2 on the left.
2. For each $i \in \{1, \dots, n\}$ and $w_k \in \{w_1, \dots, w_{2g+2}\}$, the admissible cover of graphs in Figure 2 on the right.

Proposition 4.2. *There is an open inclusion*

$$\widetilde{\mathcal{H}}_{g,n} \hookrightarrow \overline{\mathcal{M}}_{0,S}^{\mathbb{Z}/2\mathbb{Z}}(\rho)$$

which is a normal crossings compactification, and whose boundary complex $\widetilde{\Theta}_{g,n}$ is isomorphic to the subcomplex of

$$\Delta_{0,S}^{\mathbb{Z}/2\mathbb{Z}}(\rho)$$

on simplices whose vertices are not of type (1) or (2) in Definition 4.1.

Proof. Let $\widetilde{\mathcal{H}}_{g,n}^\circ$ denote the open substack of $\widetilde{\mathcal{H}}_{g,n}$ in which a marked point may not collide with a Weierstrass point, and two marked points may not form a conjugate pair. Then

$$\widetilde{\mathcal{H}}_{g,n}^\circ \cong \mathcal{M}_{0,S}^{\mathbb{Z}/2\mathbb{Z}}(\rho),$$

where $\mathcal{M}_{0,S}^{\mathbb{Z}/2\mathbb{Z}}(\rho)$ denotes the interior of the moduli space $\overline{\mathcal{M}}_{0,S}^{\mathbb{Z}/2\mathbb{Z}}(\rho)$ of pointed admissible covers. We define a partial compactification $\mathcal{H}_{g,n}^*$ of $\widetilde{\mathcal{H}}_{g,n}^\circ$, such that

$$\widetilde{\mathcal{H}}_{g,n}^\circ \subset \mathcal{H}_{g,n}^* \subset \overline{\mathcal{M}}_{0,S}^{\mathbb{Z}/2\mathbb{Z}}(\rho),$$

and the second inclusion is normal crossings. In $\overline{\mathcal{M}}_{0,S}^{\mathbb{Z}/2\mathbb{Z}}(\rho)$, define $\mathcal{H}_{g,n}^*$ to be the open complement of all boundary divisors except for those corresponding to dual graphs of type (1) or (2) (see Definition 4.1). Since $\mathcal{H}_{g,n}^*$ is the complement of a subset of the boundary divisors, the divisor

$$\overline{\mathcal{M}}_{0,S}^{\mathbb{Z}/2\mathbb{Z}}(\rho) \setminus \mathcal{H}_{g,n}^*$$

still has normal crossings. Stabilization gives a canonical isomorphism $\mathcal{H}_{g,n}^* \cong \widetilde{\mathcal{H}}_{g,n}$ which is equivariant with respect to the action of S_n , thus giving the first part of the result.

We now turn our attention to the boundary complex. Denote by $\Delta_{0,S}^{\mathbb{Z}/2\mathbb{Z}}(\rho)$ the dual complex of the compactification

$$\widetilde{\mathcal{H}}_{g,n}^\circ \cong \mathcal{M}_{0,S}^{\mathbb{Z}/2\mathbb{Z}}(\rho) \subset \overline{\mathcal{M}}_{0,S}^{\mathbb{Z}/2\mathbb{Z}}(\rho).$$

The target graphs of type (1) and (2) in Definition 4.1 have one edge and correspond to vertices in $\Delta_{0,S}^{\mathbb{Z}/2\mathbb{Z}}(\rho)$. Then the boundary complex $\widetilde{\Theta}_{g,n}$ of the inclusion

$$\widetilde{\mathcal{H}}_{g,n} \subset \overline{\mathcal{M}}_{0,S}^{\mathbb{Z}/2\mathbb{Z}}(\rho)$$

is the subcomplex of $\Delta_{0,S}^{\mathbb{Z}/2\mathbb{Z}}(\rho)$ determined by those simplices which have no vertices of type (1) or (2) in Definition 4.1. □

Let us now describe the complex $\Delta_{0,S}^{\mathbb{Z}/2\mathbb{Z}}(\rho)$ in more detail. Its q -simplices are given by isomorphism classes of pairs $(\mathbf{P} \rightarrow \mathbf{C}, \omega)$, where $\mathbf{P} \rightarrow \mathbf{C}$ is an object of the category $\Gamma_{0,S}^{\mathbb{Z}/2\mathbb{Z}}(\rho)$ (Definition 3.3), and $\omega: [q] \rightarrow E(C)$ is an edge-labeling. Moreover, on $L(C)$, the monodromy marking μ satisfies $\mu(m_C(j)) = 0$ if $j \in \{1, \dots, n\}$, and $\mu(m_C(j)) = 1$ if $j \in \{w_1, \dots, w_{2g+2}\}$. We will call the elements of

$$m_C(\{w_1, \dots, w_{2g+2}\}) \subset L(C)$$

the *branch legs* of C .

Notice that the above conditions on $\mu|_{L(C)}$ suffice to determine μ on all other half-edges of C , by condition (1) of Definition 3.4. Call a vertex $v \in V(C)$ a *leaf* vertex if it is incident to only one edge. If a leaf vertex $v \in V(C)$ supports an odd number of branch legs, then the non-leg half edge h incident to v must satisfy $\mu(h) = 1$. However, if a leaf vertex v supports an even number of branch legs, then the non-leg half edge h incident to v must satisfy $\mu(h) = 0$. Proceeding inductively, this determines μ on all half-edges incident to non-leaf vertices of C as well.

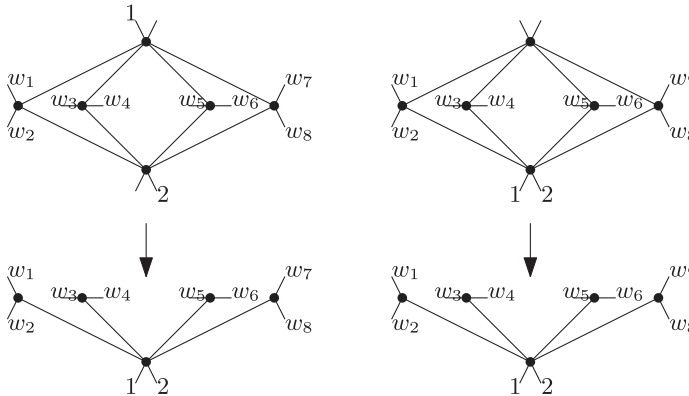


Figure 3. A $\{1, 2\} \cup \{w_1, \dots, w_8\}$ -marked stable tree C , together with the two lifts of m_C to a marking m_P . These non-isomorphic lifts are determined by a choice of element in the fiber over each leg marked by $\{1, 2\}$ on C , and two such choices define the same graph-theoretic admissible $\mathbb{Z}/2\mathbb{Z}$ -cover if they differ by the $\mathbb{Z}/2\mathbb{Z}$ -action on P .

This discussion implies that given the monodromy data ρ and an S -marked stable tree C , the only additional data required to determine an object of the category $\Gamma_{0,S}^{\mathbb{Z}/2\mathbb{Z}}(\rho)$ is a lift of the marking function $m_C: S \rightarrow L(C)$ to a function $m_P: S \rightarrow L(P)$ such that the diagram

$$\begin{array}{ccc}
 & & L(P) \\
 & \nearrow m_P & \downarrow \\
 S & \xrightarrow{m_C} & L(C)
 \end{array}$$

commutes. (Note that the morphism of graphs $P \rightarrow C$, without the marking function on P , is already determined by C and μ .) Moreover, since each branch leg in C has a unique preimage in P , one only needs to choose, for each $i \in \{1, \dots, n\}$, a leg in the preimage of $m(i) \in L(C)$. Two such choices are equivalent if they differ by the $\mathbb{Z}/2\mathbb{Z}$ -action on P . See Figure 3 for an example.

4.2. The complex $\Theta_{g,n}$

We now construct a normal crossings compactification of $\mathcal{H}_{g,n}$ and the corresponding dual complex $\Theta_{g,n}$.

By Proposition 4.2, in order to pass from $\Delta_{0,S}^{\mathbb{Z}/2\mathbb{Z}}(\rho)$ to $\tilde{\Theta}_{g,n}$, we remove all edge-labeled pairs $(\mathbf{P} \rightarrow \mathbf{C}, \omega)$ such that $\mathbf{P} \rightarrow \mathbf{C}$ admits a contraction to covers of type (1) or (2) in Definition 4.1. To that end, let

$$\Gamma_{0,S}^{\mathbb{Z}/2\mathbb{Z},*}(\rho)$$

be the full subcategory of $\Gamma_{0,S}^{\mathbb{Z}/2\mathbb{Z}}(\rho)$ on those covers which do not admit a contraction to covers of type (1) or (2).

Definition 4.3. We define the category $\Gamma_{g,n}^{\mathcal{H}}$ as follows.

1. The objects are S_{2g+2} -orbits of objects of $\Gamma_{0,S}^{\mathbb{Z}/2\mathbb{Z},*}(\rho)$. Precisely, the objects are covers $\mathbf{P} \rightarrow \mathbf{C}$, where
 - (a) $\mathbf{C} = (C, m_C)$ is the data of a stable tree C with $2g + 2 + n$ legs, together with an injective function $m_C: \{1, \dots, n\} \rightarrow L(C)$.
 - (b) $\mathbf{P} = (P, m_P)$, where P is the unique graph-theoretic admissible $\mathbb{Z}/2\mathbb{Z}$ -cover of C obtained by declaring each unmarked leg to have monodromy $1 \in \mathbb{Z}/2\mathbb{Z}$ and each marked leg to have

monodromy 0, and $m_P: \{1, \dots, n\} \rightarrow L(P)$ is a marking of $L(P)$ such that $m_P(i)$ is a leg in the inverse image of $m_C(i)$ for all i .

The cover $\mathbf{P} \rightarrow \mathbf{C}$ is required to satisfy the following:

- No contraction to type (1): If $v \in V(C)$ has $|r^{-1}(v)| = 3$ and $m_C^{-1}(r^{-1}(v)) = \{i, j\}$, then a single vertex of P supports markings i and j – in other words,

$$r_P(m_P(i)) = r_P(m_P(j)).$$

- No contraction to type (2): No vertex $v \in V(C)$ satisfies

$$|r^{-1}(v)| = 3, \quad |L(C) \cap r^{-1}(v)| = 2, \quad \text{and} \quad |m_C^{-1}(r^{-1}(v))| = 1.$$

2. The morphisms are compositions of isomorphisms and edge-contractions.

Proposition 4.4. *The inclusion $\mathcal{H}_{g,n} \subset [\overline{\mathcal{M}}_{0,S}^{\mathbb{Z}/2\mathbb{Z}}(\rho)/S_{2g+2}]$ is a normal crossings compactification, and the boundary complex $\Theta_{g,n}$ has the following explicit description.*

1. The set of q -simplices $(\Theta_{g,n})_q$ is the set of isomorphism classes of pairs $(\mathbf{P} \rightarrow \mathbf{C}, \omega)$ where $\mathbf{P} \rightarrow \mathbf{C}$ is an object of $\Gamma_{g,n}^{\mathcal{H}}$, and $\omega: [q] \rightarrow E(C)$ is an edge-labeling.
2. Given an injection $\iota: [q'] \hookrightarrow [q]$, we define $\iota^*(\mathbf{P} \rightarrow \mathbf{C}, \omega) \in (\Theta_{g,n})_{q'}$ by contracting those edges which are not in the image of ι and taking the unique induced edge-labeling which preserves the order of the remaining edges.

Proof. Since the action of S_{2g+2} on $\widetilde{\mathcal{H}}_{g,n} \subset \overline{\mathcal{M}}_{0,S}^{\mathbb{Z}/2\mathbb{Z}}(\rho)$ preserves $\widetilde{\mathcal{H}}_{g,n}$ and sends strata isomorphically to strata, we have that

$$\mathcal{H}_{g,n} \cong [\widetilde{\mathcal{H}}_{g,n}/S_{2g+2}] \subset [\overline{\mathcal{M}}_{0,S}^{\mathbb{Z}/2\mathbb{Z}}(\rho)/S_{2g+2}]$$

is a normal crossings compactification with boundary complex equal to

$$\Delta(\widetilde{\mathcal{H}}_{g,n} \subset \overline{\mathcal{M}}_{0,S}^{\mathbb{Z}/2\mathbb{Z}}(\rho))/S_{2g+2} = \widetilde{\Theta}_{g,n}/S_{2g+2},$$

and the described symmetric Δ -complex is precisely the quotient of $\widetilde{\Theta}_{g,n}$ by S_{2g+2} . □

As a direct result of Proposition 4.4, we have the following corollary identifying the weight zero compactly supported cohomology of $\mathcal{H}_{g,n}$ with the reduced cohomology of $\Theta_{g,n}$; see [21, Theorem 5.8].

Corollary 4.5. *For each i , there are canonical S_n -equivariant isomorphisms*

$$W_0 H_c^i(\mathcal{H}_{g,n}; \mathbb{Q}) \cong \widetilde{H}^{i-1}(\Theta_{g,n}; \mathbb{Q}) \cong \widetilde{H}_{i-1}(\Theta_{g,n}; \mathbb{Q})^\vee,$$

where \widetilde{H}^* and \widetilde{H}_* denote reduced cohomology and homology, respectively.

We now establish some conventions for working with objects of ρ of the category $\Gamma_{g,n}^{\mathcal{H}}$.

Definition 4.6. Given an object $\mathbf{P} \rightarrow \mathbf{C}$ of $\Gamma_{g,n}^{\mathcal{H}}$, we define the *weight* of a vertex $v \in V(\mathbf{C})$ to be the number of unmarked legs based at v .

The total weight of the vertices of C is $2g + 2$. The weight in this sense should not be confused with the notion of vertex weights corresponding to genera of irreducible curves. The two notions of vertex weight are related by the Riemann-Hurwitz formula.

When depicting objects of $\Gamma_{g,n}^{\mathcal{H}}$, we adopt the following conventions. Instead of drawing the unmarked legs of \mathbf{C} , we will label each vertex of \mathbf{C} with its weight. To avoid confusion with the genera of vertices in the source graph, we will depict the weight of a vertex in \mathbf{C} with the color grey and genera of vertices

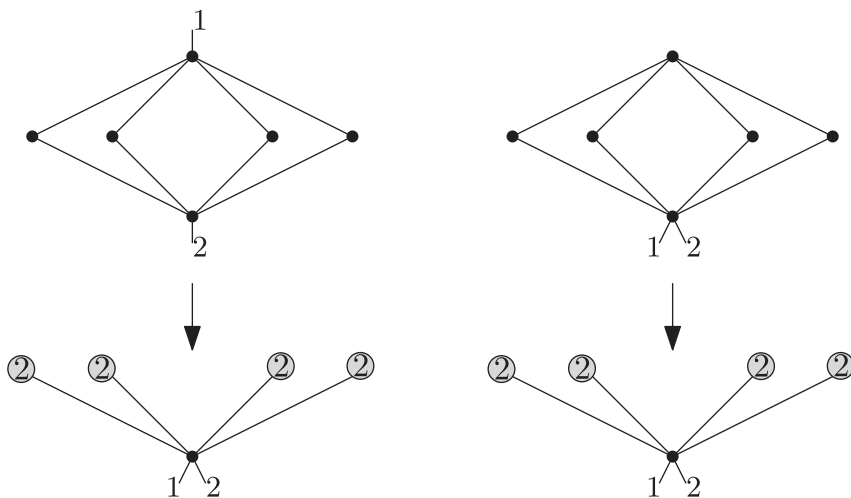


Figure 4. The images of the graph-theoretic admissible $\mathbb{Z}/2\mathbb{Z}$ -covers in $\Gamma_{0,S}^{\mathbb{Z}/2\mathbb{Z},*}(\rho)$ from Figure 3, under the functor $\Gamma_{0,S}^{\mathbb{Z}/2\mathbb{Z},*}(\rho) \rightarrow \Gamma_{g,n}^{\mathcal{H}}$. The number of unmarked legs at a vertex of a target tree is indicated by the weight function. We do not depict any unmarked legs of the source graph since they are determined by the legs of the target.

with blue. Since each unmarked leg of C has a unique preimage in P , we will not draw those legs of P . When a leg of C has two preimages in P , so only one is marked, we will suppress the other leg. See Figure 4 for the images of the $\Gamma_{0,S}^{\mathbb{Z}/2\mathbb{Z},*}(\rho)$ objects from Figure 3 under the functor to $\Gamma_{g,n}^{\mathcal{H}}$. See Figure 5 for a complete list of isomorphism classes of $\Gamma_{g,n}^{\mathcal{H}}$ -objects when $g = 2$ and $n = 0$.

Remark 4.7. We remark on the case $n = 0$. In this case, the symmetric Δ -complex $\Theta_{g,0}$ is isomorphic to the quotient of the dual complex

$$\Delta_{0,2g+2} := \Delta\left(\mathcal{M}_{0,2g+2} \subset \overline{\mathcal{M}}_{0,2g+2}\right) \tag{4.1}$$

by the S_{2g+2} -action permuting the marked points. The dual complex (4.1) is the moduli space of $(2g+2)$ -marked tropical curves of genus zero and volume one [22], also known as the space of phylogenetic trees [4, 12, 42]. The identification

$$\Theta_{g,0} = \Delta_{0,2g+2}/S_{2g+2}$$

can be seen directly from our description of the category $\Gamma_g^{\mathcal{H}}$ and holds despite the fact that the morphism

$$[\overline{\mathcal{M}}_{0,2g+2}(\rho)/S_{2g+2}] \rightarrow [\overline{\mathcal{M}}_{0,2g+2}/S_{2g+2}]$$

is not an isomorphism or even a $\mathbb{Z}/2\mathbb{Z}$ -gerbe, due to the possible presence of extra automorphisms, more than $\mathbb{Z}/2\mathbb{Z}$, in the source curves of $\mathbb{Z}/2\mathbb{Z}$ -admissible covers.

5. Acyclic subcomplexes of $\Theta_{g,n}$

In this section, we will study the cellular chain complex of $\Theta_{g,n}$, establishing Theorem 5.1 below, which states that several natural subcomplexes are acyclic. This will allow us to prove Proposition B later in this section. The acyclicity results will be used in Section 6 to obtain Theorem A.

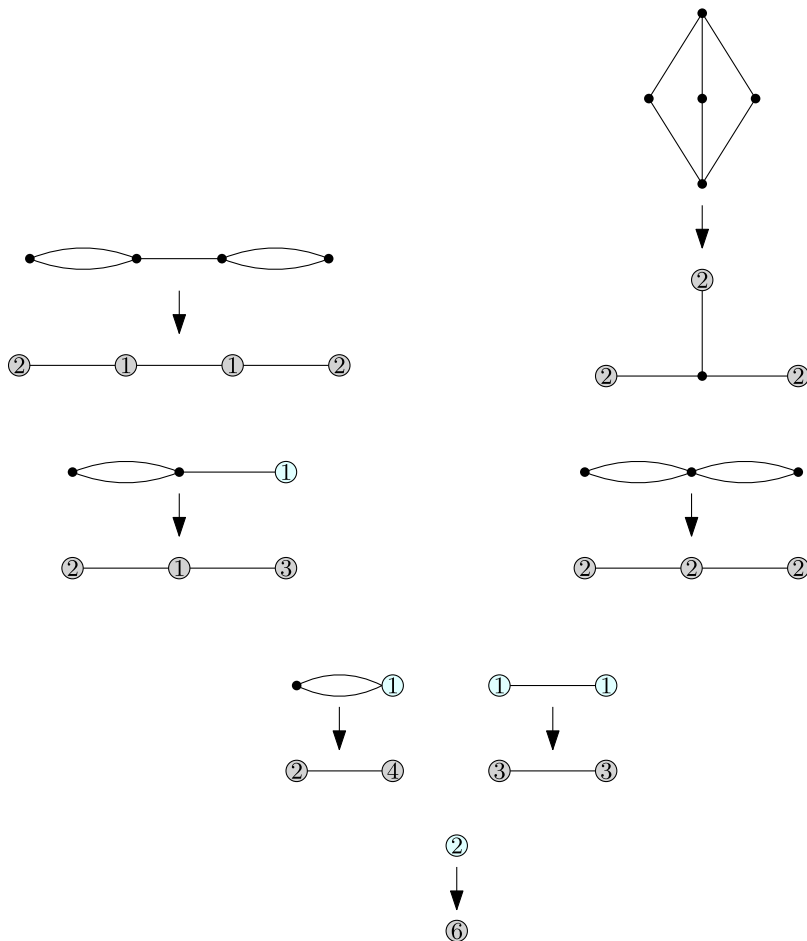


Figure 5. The set of isomorphism classes of $\Gamma_{g,n}^{\mathcal{H}}$ -objects for $g = 2$ and $n = 0$.

Theorem 5.1. Fix $g \geq 2$ and $n \geq 0$. Then the following subcomplexes of $\Theta_{g,n}$ have vanishing reduced rational homology:

1. the repeated marking locus $\Theta_{g,n}^{\text{rep}}$, namely the subcomplex determined by those $\Gamma_{g,n}^{\mathcal{H}}$ -objects $\mathbf{P} \rightarrow \mathbf{C}$ such that there exists $v \in V(\mathbf{P})$ supporting at least two markings from $\{1, \dots, n\}$;
2. the weight3 locus $\Theta_{g,n}^{\geq 3}$, determined by those $\Gamma_{g,n}^{\mathcal{H}}$ -objects $\mathbf{P} \rightarrow \mathbf{C}$ such that \mathbf{C} has a vertex of weight at least 3 (Definition 4.6); and
3. the intersection $\Theta_{g,n}^{\text{rep}} \cap \Theta_{g,n}^{\geq 3}$.

Remark 5.2. There are stronger statements that are also true, namely that the three subspaces of the space $\Theta_{g,n}$ corresponding to (1), (2) and (3) are, in fact, contractible. It is possible to convert the proofs below, of vanishing reduced rational homology to proofs of contractibility, using the *vertex property* technique of [22, §4].

5.1. The cellular chain complex of $\Theta_{g,n}$

Following [21, §3], the reduced rational homology of $\Theta_{g,n}$ is computed by the graph complex $\mathcal{C}_*^{(g,n)}$ described as follows. In degree p , $\mathcal{C}_p^{(g,n)}$ is spanned by pairs $(\mathbf{P} \rightarrow \mathbf{C}, \omega)$ where $\mathbf{P} \rightarrow \mathbf{C}$ is an object of $\Gamma_{g,n}^{\mathcal{H}}$, and $\omega: [p] \rightarrow E(\mathbf{C})$ is a bijective edge-labeling. These pairs are subject to the relation $(\mathbf{P} \rightarrow \mathbf{C}, \omega) = \text{sgn}(\rho)(\mathbf{P} \rightarrow \mathbf{C}, \omega \circ \rho)$ whenever $\rho \in S_{p+1} = \text{Aut}([p])$.

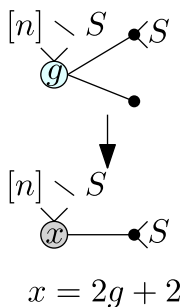


Figure 6. The cover $\mathbf{B}_S \rightarrow \mathbf{E}_S$.

The differential $\partial: \mathcal{C}_p^{(g,n)} \rightarrow \mathcal{C}_{p-1}^{(g,n)}$ is given by the signed sum of edge contractions:

$$\partial(\mathbf{P} \rightarrow \mathbf{C}, \omega) = \sum_{i \in [p]} (-1)^i (\delta^i)^*(\mathbf{P} \rightarrow \mathbf{C}, \omega),$$

where $\delta^i: [p - 1] \rightarrow [p]$ is the unique order-preserving injection which misses i .

To prove Theorem 5.1, we will show that the corresponding sub-chain complexes of $\mathcal{C}_*^{(g,n)}$ are acyclic. Denote by $\mathcal{R}_*^{(g,n)}$ the sub-chain complex of $\mathcal{C}_*^{(g,n)}$ spanned by those pairs $(\mathbf{P} \rightarrow \mathbf{C}, \omega)$ such that \mathbf{P} has a vertex v that has at least two markings from $\{1, \dots, n\}$; this is the chain complex which computes the reduced rational homology of $\Theta_{g,n}^{\text{rep}}$. Denote by $\mathcal{Q}_*^{(g,n)}$ the sub-chain complex of $\mathcal{C}_*^{(g,n)}$ spanned by those pairs $(\mathbf{P} \rightarrow \mathbf{C}, \omega)$ where \mathbf{C} has at least one vertex v with weight at least 3.

We will show that the chain complexes $\mathcal{R}_*^{(g,n)}$ and $\mathcal{Q}_*^{(g,n)} \cap \mathcal{R}_*^{(g,n)}$ are acyclic for all $g \geq 2$ and all $n \geq 2$ (Theorem 5.5), that the chain complex $\mathcal{Q}_*^{(g,n)}$ is acyclic for all $g \geq 2$ and all $n \geq 0$ (Theorem 5.9), and that the chain complex $\mathcal{C}_*^{(g,n)}$ is acyclic for all $g \geq 2$ and $n \leq 1$ (Theorem 5.12). Thus, Theorem 5.5 and Theorem 5.9 prove Theorem 5.1, and Theorem 5.12 gives part (1) of Proposition B.

The proofs of these theorems are informed by previous work of Chan–Galatius–Payne on contractibility criteria for symmetric Δ -complexes [22], as well as work of Conant–Gerlits–Vogtmann [23] on the acyclicity of the subcomplex of Kontsevich’s graph complex spanned by graphs with cut vertices.

5.2. The homology of $\Theta_{g,n}^{\text{rep}}$

It will be useful to isolate specific types of edges of covers with repeated markings.

Definition 5.3. For a $\Gamma_{g,n}^{\mathcal{H}}$ -object $\mathbf{P} \rightarrow \mathbf{C}$ with repeated markings, we say an edge $e \in E(\mathbf{C})$ is a *supporting edge*, with support equal to $S \subseteq [n]$, if, upon contracting all edges of \mathbf{C} which are not equal to e , as well as their preimages in \mathbf{P} , we obtain the cover $\mathbf{B}_S \rightarrow \mathbf{E}_S$ depicted in Figure 6. If $|S| = i$, we will call e an *i -supporting edge*. Note that, necessarily, $i \geq 2$.

Definition 5.4. Given a $\Gamma_{g,n}^{\mathcal{H}}$ -object $\mathbf{P} \rightarrow \mathbf{C}$, we define the *supporting edge retraction* of $\mathbf{P} \rightarrow \mathbf{C}$ to be the cover obtained by contracting all supporting edges in \mathbf{C} and their preimages in \mathbf{P} .

Theorem 5.5. For all $g \geq 2$ and $n \geq 2$, the chain complexes $\mathcal{R}_*^{(g,n)}$ and $\mathcal{R}_*^{(g,n)} \cap \mathcal{Q}_*^{(g,n)}$ are acyclic.

Proof. We will prove the theorem only for $\mathcal{R}_*^{(g,n)}$, as the same argument works for $\mathcal{R}_*^{(g,n)} \cap \mathcal{Q}_*^{(g,n)}$. For ease of notation, fix $g, n \geq 2$ and put

$$\mathcal{R}_* := \mathcal{R}_*^{(g,n)}.$$

First, filter \mathcal{R}_* as follows: let

$$\mathcal{R}_*^{\geq i} \hookrightarrow \mathcal{R}_*$$

be the subcomplex generated by covers which have a k -supporting edge for some $k \geq i$. More precisely, we mean that $\mathcal{R}_*^{\geq i}$ is spanned by covers obtained by edge-contraction from covers with supporting edges of this type. We apply this definition even when $i = n + 1$, in which case $\mathcal{R}_*^{\geq n+1} = 0$. Then we have a filtration

$$0 = \mathcal{R}_*^{\geq n+1} \hookrightarrow \mathcal{R}_*^{\geq n} \hookrightarrow \dots \hookrightarrow \mathcal{R}_*^{\geq 2} = \mathcal{R}_*.$$

Passing to the associated spectral sequence, it suffices to show that for each $i = 2, \dots, n$, the successive quotient chain complexes

$$\mathcal{R}_*^i := \mathcal{R}_*^{\geq i} / \mathcal{R}_*^{\geq i+1}$$

are acyclic. These quotient chain complexes are spanned by covers with i -supporting edges and their edge-contractions but do not include any covers with k -supporting edges or their edge contractions for any $k > i$. Now we filter \mathcal{R}_*^i . Define

$$F_p \mathcal{R}_*^i \hookrightarrow \mathcal{R}_*^i$$

to be the sub-chain complex spanned by graphs with at most p non-supporting edges. The number of non-supporting edges cannot increase under edge contraction, so $F_p \mathcal{R}_*^i$ really is a subcomplex. We obtain an ascending filtration

$$0 = F_{-1} \mathcal{R}_*^i \hookrightarrow F_0 \mathcal{R}_*^i \hookrightarrow \dots \hookrightarrow \mathcal{R}_*^i,$$

and again by considering the associated spectral sequence, it suffices to show that successive quotients

$$G_p \mathcal{R}_*^i := F_p \mathcal{R}_*^i / F_{p-1} \mathcal{R}_*^i$$

are acyclic, in order to conclude that \mathcal{R}_*^i and hence \mathcal{R}_* is acyclic. For fixed i and p , let $A_{i,p}$ denote the set of isomorphism classes of $\Gamma_{g,n}^{\mathcal{H}}$ -objects $\mathbf{P} \rightarrow \mathbf{C}$ where $|E(\mathbf{C})| = p$ and which (1) do not have any supporting edges, (2) admit a contraction from a cover with an i -supporting edge and (3) do not admit a contraction from any covers with k -supporting edges for $k > i$. Then we have a direct sum decomposition

$$G_p \mathcal{R}_*^i = \bigoplus_{\mathbf{P} \rightarrow \mathbf{C} \in A_{i,p}} \mathcal{L}_*^{\mathbf{P} \rightarrow \mathbf{C}},$$

where $\mathcal{L}_*^{\mathbf{P} \rightarrow \mathbf{C}}$ is the sub-chain complex consisting of those covers whose supporting edge retraction is equal to $\mathbf{P} \rightarrow \mathbf{C}$. This direct sum decomposition holds because the differential on $G_p \mathcal{R}_*^i$ is given by a signed sum of supporting edge contractions and hence preserves the supporting edge retraction of a given cover. Next, given $\mathbf{P} \rightarrow \mathbf{C} \in A_{i,p}$, we have a tensor product decomposition

$$\mathcal{L}_*^{\mathbf{P} \rightarrow \mathbf{C}} \cong \left(\bigotimes_{v \in V_i^{\text{rep}}(\mathbf{P})} (\mathbb{Q} \xrightarrow{\sim} \mathbb{Q}) \right) [1 - p],$$

where $V_i^{\text{rep}}(\mathbf{P})$ denotes the set of vertices of \mathbf{P} which contain exactly i markings, and the first copy of \mathbb{Q} is in degree 1. This tensor product decomposition holds because a generator of $\mathcal{L}_*^{\mathbf{P} \rightarrow \mathbf{C}}$ is determined by a choice of subset of those vertices of \mathbf{P} which contain i markings: the corresponding generator is determined by expanding a single i -supporting edge from the image of each chosen vertex in \mathbf{C} .

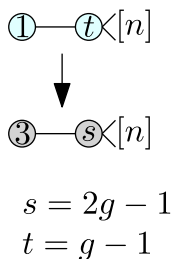


Figure 7. The cover $\mathbf{D} \rightarrow \mathbf{F}$.

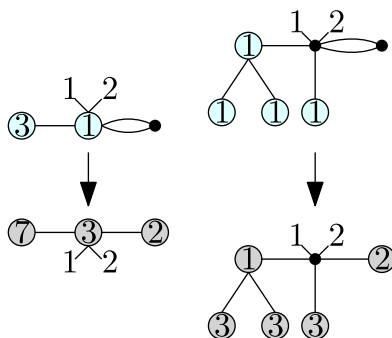


Figure 8. A cover in $\Gamma_{5,2}^{\mathcal{H}}$ and its maximal expansion by 3-ends.

(Since $i \geq 2$, such an expansion is indeed possible, producing a *stable* S -marked target tree.) The degree shift is required to account for the p edges of $\mathbf{P} \rightarrow \mathbf{C}$. Altogether, this shows that $\mathcal{L}_{*}^{\mathbf{P} \rightarrow \mathbf{C}}$ is a tensor product of acyclic chain complexes, so $\mathcal{L}_{*}^{\mathbf{P} \rightarrow \mathbf{C}}$ is itself acyclic, and the proof is complete. \square

5.3. The homology of $\Theta_{g,n}^{\geq 3}$

We will now show that the chain complex $\mathcal{Q}_{*}^{(g,n)}$ is acyclic. It will again be convenient to name particular types of edges.

Definition 5.6. Suppose $\mathbf{P} \rightarrow \mathbf{C}$ is an object of $\Gamma_{g,n}^{\mathcal{H}}$, and that \mathbf{C} has a vertex of weight at least 3.

1. We say $e \in E(\mathbf{C})$ is a *3-end* if upon contracting all edges in \mathbf{C} except for e , and their preimages in \mathbf{P} , we obtain the cover $\mathbf{D} \rightarrow \mathbf{F}$ in Figure 7.
2. We say a cover $\mathbf{P}' \rightarrow \mathbf{C}'$ is a *3-end expansion* of $\mathbf{P} \rightarrow \mathbf{C}$ if $\mathbf{P} \rightarrow \mathbf{C}$ is obtained from $\mathbf{P}' \rightarrow \mathbf{C}'$ by contracting a sequence of 3-ends.

It is straightforward to see that for any cover $\mathbf{P} \rightarrow \mathbf{C}$, the poset of 3-end expansions of $\mathbf{P} \rightarrow \mathbf{C}$ has a maximal element, as in the following lemma. We omit the proof; see Figure 8 for an example of how this expansion is constructed.

Lemma 5.7. Let $\mathbf{P} \rightarrow \mathbf{C}$ be an object of $\Gamma_{g,n}^{\mathcal{H}}$. Then the poset of 3-end expansions of $\mathbf{P} \rightarrow \mathbf{C}$ has a unique maximal element $\mathbf{P}' \rightarrow \mathbf{C}'$, and this expansion is canonical in the sense that any automorphism of $\mathbf{P} \rightarrow \mathbf{C}$ lifts to an automorphism of $\mathbf{P}' \rightarrow \mathbf{C}'$.

Given a $\Gamma_{g,n}^{\mathcal{H}}$ -object $\mathbf{P} \rightarrow \mathbf{C}$, let $A(\mathbf{P} \rightarrow \mathbf{C})$ be the set of isomorphism classes of covers obtained from $\mathbf{P} \rightarrow \mathbf{C}$ by contracting 3-ends. We define a chain complex $\mathcal{Q}_{*}^{\mathbf{P} \rightarrow \mathbf{C}}$ as follows: the vector space $\mathcal{Q}_{p}^{\mathbf{P} \rightarrow \mathbf{C}}$ is

spanned by pairs $(\mathbf{H} \rightarrow \mathbf{K}, \omega)$, where $\mathbf{H} \rightarrow \mathbf{K}$ is an element of $A(\mathbf{P} \rightarrow \mathbf{C})$ with $|E(\mathbf{K})| = p + 1$, and $\omega: [p] \rightarrow E(\mathbf{K})$ is an edge-labeling. These generators are subject to the usual relation

$$(\mathbf{H} \rightarrow \mathbf{K}, \omega \circ \rho) = \text{sgn}(\rho)(\mathbf{H} \rightarrow \mathbf{K}, \omega)$$

for $\rho \in \text{Aut}([p])$. The differential on $\mathcal{Q}_*^{\mathbf{P} \rightarrow \mathbf{C}}$ is given by the signed sum of 3-end contractions; we set it equal to 0 on any generators which do not have any 3-ends.

Proposition 5.8. *Suppose $\mathbf{P} \rightarrow \mathbf{C}$ has a 3-end and is maximal with respect to expanding 3-ends. Then $\mathcal{Q}_*^{\mathbf{P} \rightarrow \mathbf{C}}$ is acyclic.*

Proof. First, consider the case where \mathbf{C} has no automorphisms. This implies that all 3-end contractions of \mathbf{C} have no automorphisms, since any automorphism of the target tree of a $\Gamma_{g,n}^{\mathcal{H}}$ -object must lift to an automorphism of its maximal 3-end expansion. Let $q + 1$ be the number of distinct 3-ends of \mathbf{C} . We can understand $\mathcal{Q}_*^{\mathbf{P} \rightarrow \mathbf{C}}$ as a shift of the augmented cellular chain complex of the standard q -simplex σ^q , viewed as the space parameterizing assignments of nonnegative lengths to the $q + 1$ distinct 3-ends of \mathbf{C} , such that the lengths sum to one. Note that $q \geq 0$ by assumption, so that σ^q is nonempty. So in the automorphism-free case, $\mathcal{Q}_*^{\mathbf{P} \rightarrow \mathbf{C}}$ is acyclic.

For the general case, when \mathbf{C} and its contractions may have automorphisms, fix a labeling of the edges of \mathbf{C} , and denote the resulting object by \mathbf{C}^\dagger . This induces a labeling of the edges of each contraction of \mathbf{C} . Let $A(\mathbf{C}^\dagger)$ be the set consisting of \mathbf{C}^\dagger and all of its 3-end contractions. We can make a chain complex $\mathcal{Q}_*^{\mathbf{C}^\dagger}$ which in degree p is spanned by pairs $[\mathbf{K}, \omega]$ where \mathbf{K} is an element of $A(\mathbf{C}^\dagger)$ with $|\mathbf{K}| = p + 1$, and $\omega: [p] \rightarrow E(\mathbf{K})$ is a bijection, subject to the usual relations under the action of $\text{Aut}([p])$. Observe that there is a canonical action of $\text{Aut}(\mathbf{C})$ on the chain complex $\mathcal{Q}_*^{\mathbf{C}^\dagger}$, and $\mathcal{Q}_*^{\mathbf{P} \rightarrow \mathbf{C}}$ is identified with the $\text{Aut}(\mathbf{C})$ -coinvariants of the complex $\mathcal{Q}_*^{\mathbf{C}^\dagger}$, by the second part of Lemma 5.7. Since $\text{Aut}(\mathbf{C})$ is finite, it has no homology over the rationals. Moreover, $\mathcal{Q}_*^{\mathbf{C}^\dagger}$ is acyclic by the first part of the proof. We conclude that

$$H_*(\mathcal{Q}_*^{\mathbf{P} \rightarrow \mathbf{C}}) = H_*((\mathcal{Q}_*^{\mathbf{C}^\dagger})_{\text{Aut}(\mathbf{C})}) = (H_*(\mathcal{Q}_*^{\mathbf{C}^\dagger}))_{\text{Aut}(\mathbf{C})} = 0,$$

as desired. □

We now prove that $\mathcal{Q}_*^{(g,n)}$ is acyclic.

Theorem 5.9. *For $g \geq 2$ and $n \geq 0$, the chain complex $\mathcal{Q}_*^{(g,n)}$ is acyclic.*

Proof. Let $F_p \mathcal{Q}_*^{(g,n)}$ denote the subspace spanned by those covers whose target tree has at most p edges which are not 3-ends. This defines a bounded, increasing filtration of $\mathcal{Q}_*^{(g,n)}$. The E^0 page

$$E_{p,q}^0 = F_p \mathcal{Q}_{p+q}^{(g,n)} / F_{p-1} \mathcal{Q}_{p+q}^{(g,n)}$$

of the associated spectral sequence is spanned by covers whose target tree has exactly p edges which are not 3-ends. The differential $\partial_0: E_{p,q}^0 \rightarrow E_{p,q-1}^0$ is given by a signed sum of 3-end contractions. Therefore, by Lemma 5.7, the p th column of the E^0 page breaks up into a direct sum of chain complexes of the form $\mathcal{Q}_*^{\mathbf{P} \rightarrow \mathbf{C}}$, where \mathbf{C} has at least one 3-end, and the tree obtained from \mathbf{C} by contracting all 3-ends has p edges. Proposition 5.8 then implies that the E^1 page vanishes, which completes the proof. □

5.4. Calculations on $\Theta_{g,n}$ for $n \leq 2$

We conclude this section by proving Proposition B. The first part of Proposition B asserts that $\mathcal{C}_*^{(g,n)}$ is acyclic for $n \leq 1$, and the proof is similar to the one that $\mathcal{Q}_*^{(g,n)}$ is acyclic. Once again, we isolate particular types of edges:

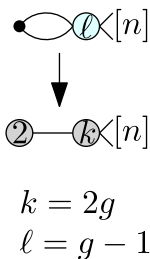


Figure 9. The cover $\mathbf{J} \rightarrow \mathbf{K}$.

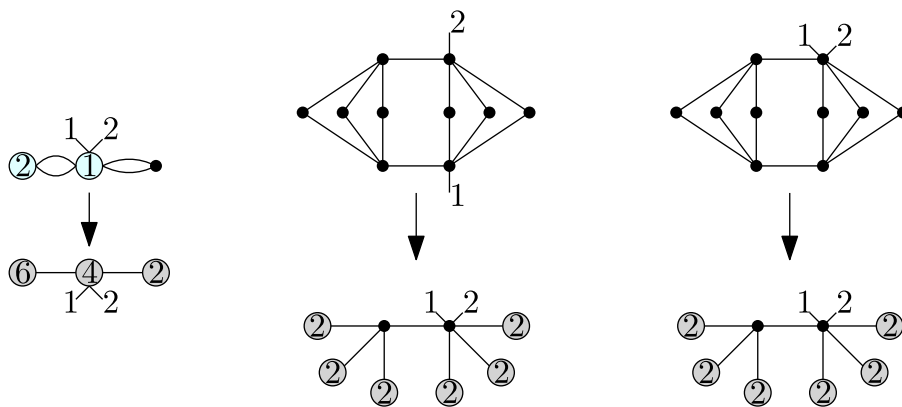


Figure 10. A cover $\mathbf{P} \rightarrow \mathbf{C}$ in $\Gamma_{5,2}^{\mathcal{H}}$ and the two distinct maximal elements of its poset of 2-end expansions. When $n \leq 1$, this poset always has a unique maximal element, as explained in the proof of Lemma 5.11.

Definition 5.10. Let $\mathbf{P} \rightarrow \mathbf{C}$ be a $\Gamma_{g,n}^{\mathcal{H}}$ -object. An edge $e \in E(\mathbf{C})$ is called a 2-end if upon contracting all edges of \mathbf{C} except for e , and their preimages in \mathbf{P} , we obtain the cover $\mathbf{J} \rightarrow \mathbf{K}$ in Figure 9.

The key to the proof of acyclicity of $\mathcal{C}_*^{(g,n)}$ when $n \leq 1$ is the following lemma.

Lemma 5.11. Let $\mathbf{P} \rightarrow \mathbf{C}$ be an object of $\Gamma_{g,n}^{\mathcal{H}}$ for $n \leq 1$. Then the poset of expansions of $\mathbf{P} \rightarrow \mathbf{C}$ by 2-ends has a unique maximal element $\mathbf{P}' \rightarrow \mathbf{C}'$. Moreover, this expansion is canonical in the sense that any automorphism of $\mathbf{P} \rightarrow \mathbf{C}$ lifts to one of $\mathbf{P}' \rightarrow \mathbf{C}'$.

Proof. It is clear how to construct the graph \mathbf{C}' : for every vertex of \mathbf{C} with weight $d \geq 2$, one expands $\lfloor d/2 \rfloor$ many 2-ends from v , leaving behind a vertex of weight $d - 2\lfloor d/2 \rfloor$ (if $d = 2$, this expansion should only be performed if it preserves the stability condition – that is, only if the vertex is not already part of a 2-end). This uniquely determines a cover \mathbf{P}' but does not determine the marking function on \mathbf{P}' . If $n = 0$, then there is no marking function, so \mathbf{P}' is determined. For $n = 1$, the only ambiguity arises when v supports the unique marking, and the preimage of v in \mathbf{C}' has 2 preimages in the graph \mathbf{P}' , so one has to make a choice as to which fiber to mark. However, since $n = 1$, both choices are equivalent, as they differ by the $\mathbb{Z}/2\mathbb{Z}$ -action on \mathbf{P}' . Therefore, \mathbf{P}' is also determined when $n = 1$. The statement on lifting of automorphisms is straightforward to check. The lemma fails when $n > 1$, because, in general, there is no canonical way of distributing the markings supported at v among the fibers over v in \mathbf{P}' . See Figure 10 for an example. \square

Given Lemma 5.11, the proof of the following theorem is completely analogous to the proof of Theorem 5.9; we will only outline the necessary steps.

Theorem 5.12. For $g \geq 2$ and $n \leq 1$, the chain complex $\mathcal{C}_*^{(g,n)}$ is acyclic.

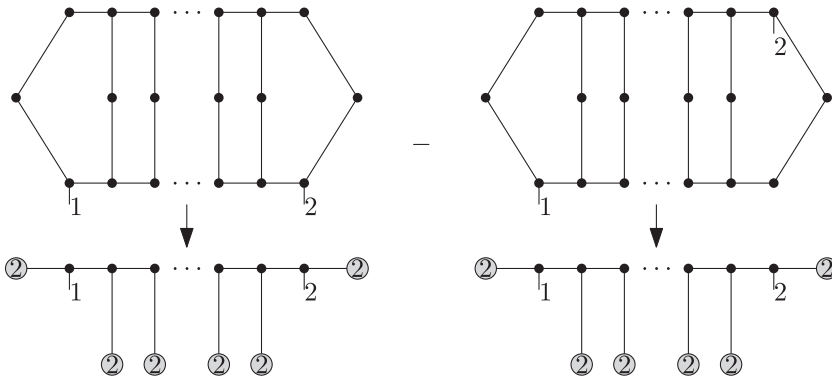


Figure 11. A cycle spanning $\tilde{H}_{2g}(\Theta_{g,2}; \mathbb{Q})$.

Proof. First, define $B(\mathbf{P} \rightarrow \mathbf{C})$ to be the set of isomorphism classes of $\Gamma_{g,n}^{\mathcal{H}}$ -objects obtained from $\mathbf{P} \rightarrow \mathbf{C}$ by contracting 2-ends. Then use this to define a chain complex $\mathcal{G}_*^{\mathbf{P} \rightarrow \mathbf{C}}$ analogously to $\mathcal{Q}_*^{\mathbf{P} \rightarrow \mathbf{C}}$, where the differential is given by a signed sum of 2-end contractions. The proof that $\mathcal{G}_*^{\mathbf{P} \rightarrow \mathbf{C}}$ is acyclic, for $\mathbf{P} \rightarrow \mathbf{C}$ maximal with respect to expanding 2-ends, is exactly the same as the proof of Proposition 5.8. Finally, one proves the theorem by filtering $\mathcal{C}_*^{(g,n)}$: set $F_p \mathcal{C}_*^{(g,n)}$ to be the subcomplex of $\mathcal{C}_*^{(g,n)}$ spanned by those covers with at most p edges which are not 2-ends. Then the p th column of the E^0 page of the associated spectral sequence breaks up into a direct sum of complexes of the form $\mathcal{G}_*^{\mathbf{P} \rightarrow \mathbf{C}}$ by Lemma 5.11, so the E^1 page vanishes, and the result follows. \square

Theorem 5.12 gives part (1) of Proposition B. Part (2) states that

$$W_0 H_c^{2g+1}(\mathcal{H}_{g,2}; \mathbb{Q}) \cong \mathbb{Q}$$

and that the corresponding S_2 -representation is trivial if g is even and given by the sign representation if g is odd. We prove this now by writing down an explicit cycle in $\mathcal{C}_{2g}^{(g,2)}$ corresponding to this class. See Figure 11.

Proof of Proposition B, part (2). We have an isomorphism of S_2 -representations

$$W_0 H_c^{2g+1}(\mathcal{H}_{g,2}; \mathbb{Q}) \cong \tilde{H}_{2g}(\Theta_{g,2}; \mathbb{Q})^\vee$$

by Corollary 4.5. We have

$$\tilde{H}_{2g}(\Theta_{g,2}; \mathbb{Q}) = H_{2g}(\mathcal{C}_*^{(g,2)}).$$

Observe that $2g$ is the top homological degree of $\mathcal{C}^{(g,2)}$: the maximal number of edges of a stable tree with $2g + 4$ legs is $2g + 1$. Therefore, any cycle in $\mathcal{C}_{2g}^{(g,2)}$ defines a class in homology. Any target tree for a cover in $\mathcal{C}_{2g}^{(g,2)}$ must be trivalent, and to be a nonzero element, it cannot have any automorphisms which act by an odd permutation of the edge set. It is straightforward to conclude that such a tree must be equal to the tree depicted in Figure 11. This tree \mathbf{C} has two covers, depicted in Figure 11. Therefore, $\dim \mathcal{C}_{2g}^{(g,2)} = 2$, where a basis is given by choosing any edge-labeling of the aforementioned tree. One can verify directly that neither one of these basis elements forms a cycle on their own, but their difference does. From this we conclude that $H_{2g}(\mathcal{C}_*^{(g,2)}) \cong \mathbb{Q}$. To understand the S_2 -representation, we note that when g is even, the transposition in S_2 induces an even permutation on any edge-labeling of the given tree, and when g is odd, the transposition induces an odd permutation of the edge labels. \square

Remark 5.13. Theorem 5.5 generalizes to other spaces of admissible covers. Fix an integer $N > 0$, and let G be an abelian group, which we now write additively to be consistent with our notation for $G = \mathbb{Z}/2\mathbb{Z}$. Let

$$\mu: \{w_1, \dots, w_N\} \rightarrow G$$

be a function such that the image of μ generates G , which additionally satisfies

$$\sum_{i=1}^N \mu(w_i) = 0,$$

where $0 \in G$ denotes the identity element. For any integer $n \geq 0$, we can extend μ to a function

$$\{1, \dots, n\} \cup \{w_1, \dots, w_N\} \rightarrow G$$

by setting the image of each $i \in \{1, \dots, n\}$ to be 0; for ease of notation, we will also call this extension μ . We set the notation

$$\overline{\mathcal{M}}_{0,n+N}^G(\mu) := \overline{\mathcal{M}}_{0,\{1,\dots,n\} \cup \{w_1,\dots,w_N\}}^G(\mu)$$

and define $\mathcal{M}_{0,n+N}^G(\mu)$ similarly. We now define an intermediate locus

$$\mathcal{M}_{0,n+N}^G(\mu) \subset \widetilde{\mathcal{M}}_{0,n+N}^G(\mu) \subset \overline{\mathcal{M}}_{0,n+N}^G(\mu)$$

in analogy with the space $\widetilde{\mathcal{H}}_{g,n}$ of n -marked hyperelliptic curves of genus g together with a labeling of their Weierstrass points, considered in §4.1. Given a graph-theoretic pointed admissible G -cover $\mathbf{P} \rightarrow \mathbf{C} \in \text{Ob}(\Gamma_{0,n+N}^G(\mu))$, where $\Gamma_{0,n+N}^G(\mu)$ is the category defined in Definition 3.3, we say that $\mathbf{P} \rightarrow \mathbf{C}$ is *forbidden* if all of the following conditions hold:

- (a) $|E(\mathbf{C})| = 1$,
- (b) If we erase all of the legs labeled by $\{1, \dots, n\}$ from \mathbf{C} , the resulting $\{w_1, \dots, w_N\}$ -marked tree is not stable in the sense of Definition 3.1, and
- (c) the source graph \mathbf{P} has no vertices supporting repeated markings among $\{1, \dots, n\}$.

Each forbidden cover $\mathbf{P} \rightarrow \mathbf{C}$ corresponds uniquely to a boundary divisor of $\overline{\mathcal{M}}_{0,n+N}^G(\mu)$, and we define $\widetilde{\mathcal{M}}_{0,n+N}^G(\mu)$ to be the complement in $\overline{\mathcal{M}}_{0,n+N}^G(\mu)$ of those boundary divisors which are not forbidden.

When $G = \mathbb{Z}/2\mathbb{Z} = \{0, 1\}$, $N = 2g + 2$, and $\mu(w_i) = 1$ for all i , the forbidden divisors are precisely those of type (1) and (2) in Definition 4.1, and we have

$$\widetilde{\mathcal{M}}_{0,n+2g+2}^{\mathbb{Z}/2\mathbb{Z}}(\mu) \cong \widetilde{\mathcal{H}}_{g,n}.$$

For general G and μ , the space $\widetilde{\mathcal{M}}_{0,n+N}^G(\mu)$ can be identified with the moduli space of smooth N -pointed admissible G -covers of \mathbb{P}^1 , with monodromy specified by μ , together with n distinct marked points on the source curve. This space admits an S_n -action given by permuting the n marked points on the source, and the isomorphism with $\widetilde{\mathcal{M}}_{0,n+N}^G(\mu)$ is S_n -equivariant.

The dual complex $\widetilde{\Theta}_{0,n+N}^G(\mu)$ of the normal crossings compactification

$$\widetilde{\mathcal{M}}_{0,n+N}^G(\mu) \subset \overline{\mathcal{M}}_{0,n+N}^G(\mu)$$

is the subcomplex of $\Delta_{0,n+N}^G(\mu)$ of those simplices which have no forbidden vertices. The analogue of Theorem 5.5 holds for $\widehat{\Theta}_{0,n+N}^G(\mu)$: the subcomplex parameterizing graph-theoretic admissible G -covers $\mathbf{P} \rightarrow \mathbf{C}$ where \mathbf{P} has a repeated marking is acyclic. Our proof of Theorem 5.5 carries through to this setting, mutatis mutandis. In Remark 6.6 below, we explain how this leads to a generalization of Theorem A for these spaces.

6. A graph sum formula for h_g

Recall from the introduction that

$$h_g = \sum_{n \geq 0} \sum_{i=0}^{4g-2+2n} (-1)^i \text{ch}_n W_0 H_c^i(\mathcal{H}_{g,n}; \mathbb{Q}) \in \widehat{\Lambda}$$

denotes the generating function for the weight zero equivariant Euler characteristics of the moduli spaces $\mathcal{H}_{g,n}$. In this section, we will prove Theorem A, thus establishing our sum-over-graphs formula for h_g . We let T_{2g+2} denote the set of isomorphism classes of stable trees with $2g + 2$ unlabeled legs. When each leg is given monodromy marking equal to $1 \in \mathbb{Z}/2\mathbb{Z}$, such a tree C has a unique graph-theoretic admissible $\mathbb{Z}/2\mathbb{Z}$ -cover $P_C \rightarrow C$. Let $T_{2g+2}^{<3}$ denote the subset of T_{2g+2} consisting of those trees such that no vertex supports more than two leaves, and for a tree C , we write E_C for its set of edges. We restate Theorem A for convenience.

Theorem A. *We have*

$$h_g = \sum_{C \in T_{2g+2}^{<3}} \frac{(-1)^{|E_C|}}{|\text{Aut}(P_C)|} \sum_{\tau \in \text{Aut}(P_C)} \text{sgn}(\tau|_{E_C}) \prod_{k \geq 1} (1 + p_k)^{f(P_C, \tau, k)},$$

where E_C is the set of edges of the tree C , $p_k = \sum_{n>0} x_n^k \in \widehat{\Lambda}$ is the k th power sum symmetric function, and $k \cdot f(P_C, \tau, k)$ is the compactly supported Euler characteristic of the set of points in P_C which have orbit of length k , under the action of τ .

We will prove Theorem A through a series of intermediate results. Throughout this section, we tacitly replace the symmetric Δ -complex $\Theta_{g,n}$ with its geometric realization.

Lemma 6.1. *We have*

$$h_g = - \sum_{n \geq 0} \chi_c^{S_n}(\Theta_{g,n} \setminus (\Theta_{g,n}^{\text{rep}} \cup \Theta_{g,n}^{\geq 3})),$$

where $\chi_c^{S_n}(\cdot)$ denotes the S_n -equivariant compactly supported Euler characteristic.

Proof. Via the identification

$$W_0 H_c^i(\mathcal{H}_{g,n}; \mathbb{Q}) \cong \widetilde{H}_{i-1}(\Theta_{g,n}; \mathbb{Q})^\vee$$

of Corollary 4.5, and using that the Frobenius characteristic of a representation of S_n equals that of its dual, we can write

$$\begin{aligned} h_g &= \sum_{n \geq 0} \sum_{i=0}^{4g-2+2n} (-1)^i \text{ch}_n \widetilde{H}_{i-1}(\Theta_{g,n}; \mathbb{Q}) \\ &= \sum_{n \geq 0} -\widetilde{\chi}^{S_n}(\Theta_{g,n}), \end{aligned}$$

where $\tilde{\chi}^{S_n}(\cdot)$ denotes the S_n -equivariant reduced Euler characteristic. Since $\Theta_{g,n}$ is connected and compact, and S_n acts trivially on $H_0(\Theta_{g,n}; \mathbb{Q}) \cong \mathbb{Q}$, we have

$$-\sum_{n \geq 0} \tilde{\chi}^{S_n}(\Theta_{g,n}) = \sum_{n \geq 0} h_n - \sum_{n \geq 0} \chi_c^{S_n}(\Theta_{g,n}),$$

where $h_n \in \Lambda$ is the n th homogeneous symmetric function, defined as the Frobenius characteristic of the trivial S_n -representation. By the additivity of the compactly supported Euler characteristic under stratification, we can write

$$\sum_{n \geq 0} \chi_c^{S_n}(\Theta_{g,n}) = \sum_{n \geq 0} \left(\chi_c^{S_n}(\Theta_{g,n} \setminus (\Theta_{g,n}^{\text{rep}} \cup \Theta_{g,n}^{\geq 3})) + \chi_c^{S_n}(\Theta_{g,n}^{\text{rep}} \cup \Theta_{g,n}^{\geq 3}) \right).$$

Since the union $\Theta_{g,n}^{\text{rep}} \cup \Theta_{g,n}^{\geq 3}$ is compact and connected, with vanishing reduced rational homology by Theorem 5.1, and S_n acts trivially on $H_0(\Theta_{g,n}^{\text{rep}} \cup \Theta_{g,n}^{\geq 3}; \mathbb{Q})$, we have

$$\chi_c^{S_n}(\Theta_{g,n}^{\text{rep}} \cup \Theta_{g,n}^{\geq 3}) = h_n,$$

and the proof is complete. □

Lemma 6.2. *We have*

$$h_g = - \sum_{C \in T_{2g+2}^{<3}} \sum_{n \geq 0} \chi_c^{S_n} \left(\left(\text{Conf}_n(P_C) \times (\Delta^{|E_C|-1})^\circ \right) / \text{Aut}(P_C) \right).$$

Proof. We can stratify the space

$$X_{g,n} := \Theta_{g,n} \setminus (\Theta_{g,n}^{\text{rep}} \cup \Theta_{g,n}^{\geq 3})$$

by the $\Gamma_g^{\mathcal{H}}$ -object that arises when we forget the marking function and delete all legs with monodromy equal to 0, as well as their preimages, and then stabilizing; stabilization process only entails the removal of 2-valent vertices, because we are outside the locus $\Theta_{g,n}^{\text{rep}}$. Such an object is uniquely specified by an element C of $T_{2g+2}^{<3}$, which determines its covering P_C . Since we have removed the repeated marking locus, the stratum corresponding to $P_C \rightarrow C$ is S_n -equivariantly homeomorphic to

$$\left(\text{Conf}_n(P_C) \times (\Delta^{|E_C|-1})^\circ \right) / \text{Aut}(P_C).$$

Above, $(\Delta^{|E_C|-1})^\circ$ denotes the interior of the standard $|E_C| - 1$ simplex $\Delta^{|E_C|-1}$, viewed as the space parameterizing metrics $\ell: E_C \rightarrow \mathbb{R}_{>0}$ of total length one. The space $\text{Conf}_n(P_C)$ is the configuration space of n distinct points on P_C , and the action of $\text{Aut}(P_C)$ is diagonal: one finds that the morphism $P_C \rightarrow C$ can be reconstructed from P_C , so $\text{Aut}(P_C)$ naturally acts on C and hence on $|E_C|$ and $(\Delta^{|E_C|-1})^\circ$. □

We now show how to calculate the terms in the sum, following Gorsky’s calculation of the S_n -equivariant Euler characteristic of $\text{Conf}_n(X)/G$, where X is an algebraic variety and G is a finite subgroup of its automorphism group [31].

Proposition 6.3. *Let X be a finite CW complex, and let E be a finite set. Set*

$$\Delta^\circ = \left\{ \ell : E \rightarrow \mathbb{R}_{>0} \mid \sum_{e \in E} \ell(e) = 1 \right\}.$$

Let G be a finite group acting on both X and E , and set

$$h_{X,E,G} := \sum_{n \geq 0} \chi_c^{S_n}((\text{Conf}_n(X) \times \Delta^\circ)/G).$$

Then

$$h_{X,E,G} = -\frac{(-1)^{|E|}}{|G|} \sum_{g \in G} \text{sgn}(g|_E) \prod_{k \geq 1} (1 + p_k)^{\chi_c(X_k(g))/k},$$

where $X_k(g)$ denotes the set of points of X which have orbit of length k under the action of g .

Before proving Proposition 6.3, we need two intermediate lemmas.

Lemma 6.4. *Suppose that X is any finite CW complex. Then*

$$f(t) := \sum_{n \geq 0} \chi_c(\text{Conf}_n(X)) \frac{t^n}{n!} = (1+t)^{\chi_c(X)}.$$

Proof. We have the identity

$$\chi_c(X^n) = \sum_{k=1}^n S(n, k) \chi_c(\text{Conf}_k(X)),$$

where $S(n, k)$, the Stirling number of the second kind, counts the number of partitions of n with k parts. It follows that

$$g(t) := \sum_{n \geq 0} \chi_c(X^n) \frac{t^n}{n!} = e^{\chi_c(X)t}$$

is the Stirling transform of f , so that $f(t) = g(\log(1+t)) = (1+t)^{\chi_c(X)}$, as claimed. □

Lemma 6.5. *For any group H acting on a space Y , denote by*

$$[Y]^h$$

the set of fixed points of $h \in H$ acting on Y . Then, for X, E and G as above, and $\sigma \in S_n$, we have

$$\chi_c([(\text{Conf}_n(X) \times \Delta^\circ)/G]^\sigma) = -\frac{(-1)^{|E|}}{|G|} \sum_{g \in G} \text{sgn}(g|_E) \cdot \chi_c([\text{Conf}_n(X)]^{g^{-1}\sigma}).$$

Proof. Define

$$S = \{ (g, \ell, y) \in G \times \Delta^\circ \times \text{Conf}_n(X) \mid g \cdot (\ell, y) = \sigma \cdot (\ell, y) \}.$$

Then we have a map

$$S \rightarrow [(\text{Conf}_n(X) \times \Delta^\circ)/G]^\sigma,$$

which takes (g, ℓ, y) to (y, ℓ) . The fibers of this map are all nonempty and have cardinality equal to $|G|$, so

$$\chi_c([(Conf_n(X) \times \Delta^\circ)/G]^\sigma) = \frac{1}{|G|} \chi_c(S).$$

However, the projection $S \rightarrow G$ has fiber over $g \in G$ isomorphic to

$$[\Delta^\circ]^g \times [Conf_n(X)]^{g^{-1}\sigma}.$$

Therefore, we have

$$\chi_c([(Conf_n(X) \times \Delta^\circ)/G]^\sigma) = \frac{1}{|G|} \sum_{g \in G} \chi_c([\Delta^\circ]^g) \cdot \chi_c([Conf_n(X)]^{g^{-1}\sigma}).$$

The proof is finished upon noting that $[\Delta^\circ]^g$ is again an open simplex, whose dimension modulo 2 is equal to $|E| + \text{sgn}(g|_E) - 1$. □

We can now prove Proposition 6.3.

Proof of Proposition 6.3. We have

$$\begin{aligned} h_{X,E,G} &= \sum_{n \geq 0} \frac{1}{n!} \sum_{\sigma \in S_n} \sum_{i \geq 0} (-1)^i \text{Tr} \left(\sigma|_{H_c^i((Conf_n(X) \times \Delta^\circ)/G; \mathbb{Q})} \right) p_1^{k_1(\sigma)} \cdots p_n^{k_n(\sigma)} \\ &= \sum_{n \geq 0} \frac{1}{n!} \sum_{\sigma \in S_n} \chi_c([(Conf_n(X) \times \Delta^\circ)/G]^\sigma) p_1^{k_1(\sigma)} \cdots p_n^{k_n(\sigma)}, \end{aligned}$$

by the Lefschetz fixed-point theorem applied to the one-point compactification of $(Conf_n(X) \times \Delta^\circ)/G$, where we set $k_i(\sigma)$ to be the number of cycles of length i in σ . Now using Lemma 6.5, we have

$$h_{X,E,G} = - \sum_{n \geq 0} \frac{1}{n!} \sum_{\sigma \in S_n} \frac{(-1)^{|E|}}{|G|} \sum_{g \in G} \text{sgn}(g|_E) \cdot \chi_c([Conf_n(X)]^{g^{-1}\sigma}) p_1^{k_1(\sigma)} \cdots p_n^{k_n(\sigma)}.$$

Now the proof follows that of Gorsky [31, Theorem 2.5]: if we set

$$X_k(g) := \{x \in X \mid x \text{ has orbit of size } k \text{ under } g\},$$

and

$$\tilde{X}_k(g) = X_k(g)/(g),$$

then for fixed ℓ_1, \dots, ℓ_n such that $\sum_{i=1}^n i\ell_i = n$, we have a map

$$\coprod_{\substack{\sigma \in S_n \\ k_i(\sigma) = \ell_i \forall i}} [Conf_n(X)]^{g^{-1}\sigma} \rightarrow \prod_{i=1}^n Conf_{\ell_i}(\tilde{X}_i(g))/S_{\ell_i}$$

which is $n!$ -to-1, so that

$$\frac{1}{n!} \sum_{\substack{\sigma \in S_n \\ k_i(\sigma) = \ell_i \forall i}} \chi_c \left([\text{Conf}_n(X)]^{g^{-1}\sigma} \right) = \prod_{i=1}^n \frac{\chi_c(\text{Conf}_{\ell_i}(\tilde{X}_i(g)))}{\ell_i!}.$$

Now the proposition follows from Lemma 6.4, upon summing over all possible tuples (ℓ_1, \dots, ℓ_n) . \square

Now Theorem A is proved by combining Lemma 6.2 with Proposition 6.3.

Remark 6.6. As explained in Remark 5.13, the repeated marking locus in the dual complex $\tilde{\Theta}_{0,n+N}^G(\mu)$ of the inclusion

$$\tilde{\mathcal{M}}_{0,n+N}^G(\mu) \subset \overline{\mathcal{M}}_{0,n+N}^G(\mu)$$

is also acyclic, and $\tilde{\mathcal{M}}_{0,n+N}^G(\mu)$ is naturally identified with the moduli space of smooth N -pointed admissible covers of \mathbb{P}^1 with μ -specified monodromy, together with n distinct marked points on the source curve.

By the acyclicity of the repeated marking locus, we can write a graph sum formula for the generating function encoding the S_n -equivariant weight zero compactly supported Euler characteristics of these moduli spaces. Define

$$h_N^G(\mu) = \sum_{n \geq 0} \sum_{i=0}^{2N+2n-6} (-1)^i \text{ch}_n(W_0 H_c^i(\tilde{\mathcal{M}}_{0,n+N}^G(\mu); \mathbb{Q})).$$

By removing the repeated marking locus from the dual complex and emulating the techniques of this section, we obtain the following theorem.

Theorem D. *We have*

$$h_N^G(\mu) = \sum_{\mathbf{P} \rightarrow \mathbf{C} \in \text{Ob}(\Gamma_{0,N}^G(\mu))} \frac{(-1)^{|E_{\mathbf{C}}|}}{|\text{Aut}(\mathbf{P} \rightarrow \mathbf{C})|} \sum_{\tau \in \text{Aut}(\mathbf{P} \rightarrow \mathbf{C})} \text{sgn}(\tau|_{E_{\mathbf{C}}}) \prod_{k \geq 1} (1 + p_k)^{f(\mathbf{P}, \tau, k)},$$

where $E_{\mathbf{C}}$ is the set of edges of the tree \mathbf{C} , $p_k = \sum_{n>0} x_n^k \in \hat{\Lambda}$ is the k th power sum symmetric function, and $k \cdot f(\mathbf{P}, \tau, k)$ is given by the compactly supported Euler characteristic of the set of points in \mathbf{P} which have orbit of length k , under the action of τ . The first sum is taken over isomorphism classes of objects in $\Gamma_{0,N}^G(\mu)$, which is the category defined in Definition 3.3.

Taking $G = \mathbb{Z}/2\mathbb{Z}$, $N = 2g + 2$ and $\mu: \{w_1, \dots, w_N\} \rightarrow \mathbb{Z}/2\mathbb{Z}$ to be the constant function 1 in Theorem D, we obtain the generating function for the S_n -equivariant weight zero compactly supported Euler characteristics of the moduli spaces $\tilde{\mathcal{H}}_{g,n}$ of n -pointed hyperelliptic curves of genus g , together with labelings of their Weierstrass points.

A. Calculations for $g \leq 7$

In this appendix, we present the computational data obtained by implementing Theorem A on a computer. This was implemented in *Mathematica* using the package IGraph/M [34]. The code for these computations is available at [14].

Table A.1. The generating function $h_g \in \hat{\Lambda}$ for $2 \leq g \leq 7$. Here, $P_i := 1 + p_i \in \hat{\Lambda}$ is the inhomogeneous power sum.

g	h_g
2	$\frac{1}{12} \left(-\frac{P_1^3}{P_2^2} - \frac{2P_1^2}{P_3} + \frac{6P_1}{P_2} - \frac{2P_2P_3}{P_6} - \frac{1}{P_1} \right)$
3	$-\frac{P_1^4}{16P_2^3} + \frac{P_1^3}{8P_2^2} - \frac{5P_1^2}{16P_2^2} - \frac{P_1^2}{8P_4} - \frac{1}{16P_1^2} + \frac{P_1P_2}{4P_4} + \frac{P_1}{2P_2} + \frac{1}{8P_1} - \frac{P_2}{8P_4} - \frac{5}{16P_2}$
4	$-\frac{9P_1^5}{160P_2^4} + \frac{7P_1^4}{48P_2^2} - \frac{P_1^3}{8P_2^2} - \frac{P_1^3}{16P_2^2} - \frac{P_1^2}{16P_2P_4} + \frac{P_1^2}{16P_2^2} + \frac{P_1^2}{8P_4} - \frac{P_1^2}{10P_5} - \frac{P_1}{2P_2} + \frac{7P_1}{16P_2^2} + \frac{P_1}{6P_3} - \frac{P_2P_1}{4P_4} + \frac{P_1}{8P_4} + \frac{P_3P_1}{6P_6} - \frac{1}{8P_1} + \frac{7}{48P_1^2} - \frac{9}{160P_1^3} + \frac{1}{16P_2} - \frac{1}{16P_1P_2} + \frac{P_2}{8P_4} - \frac{P_2}{16P_1P_4} - \frac{P_2P_5}{10P_{10}}$
5	$-\frac{11P_1^6}{192P_2^5} + \frac{3P_1^5}{16P_2^2} - \frac{P_1^4}{4P_2^2} - \frac{5P_1^4}{64P_2^2} - \frac{P_1^4}{16P_2^2P_4} + \frac{P_1^3}{8P_2^2} + \frac{5P_1^3}{16P_2^3} + \frac{3P_1^3}{16P_2P_4} - \frac{P_1^2}{4P_2^2} - \frac{35P_1^2}{96P_2^3} - \frac{P_1^2}{12P_2^3} - \frac{3P_1^2}{16P_2P_4} - \frac{P_2P_1^2}{8P_4^2} + \frac{P_1^2}{12P_6} - \frac{P_4P_1^2}{8P_2P_8} + \frac{3P_1}{4P_2^2} - \frac{P_2P_1}{4P_4} + \frac{3P_1}{8P_4} + \frac{P_2^2P_1}{4P_4^2} + \frac{P_4P_1}{4P_8} + \frac{1}{8P_1} - \frac{1}{4P_1^2} + \frac{3}{16P_1^3} - \frac{11}{192P_1^4} - \frac{1}{4P_2} + \frac{5}{16P_1P_2} - \frac{5}{64P_1^2P_2} + \frac{35}{96P_2^2} - \frac{3}{16P_4} + \frac{3P_2}{16P_1P_4} - \frac{P_2}{16P_1^2P_4} - \frac{P_2^2}{8P_4^2} + \frac{P_2}{12P_6} - \frac{P_2P_3}{12P_6^2} - \frac{P_4}{8P_8}$
6	$-\frac{227P_1^7}{3584P_2^6} + \frac{P_1^6}{4P_2^5} - \frac{55P_1^5}{128P_2^4} - \frac{25P_1^5}{256P_2^5} - \frac{9P_1^5}{128P_2^3P_4} + \frac{3P_1^4}{8P_2^2} + \frac{7P_1^4}{16P_2^4} + \frac{P_1^4}{4P_2^2P_4} - \frac{P_1^3}{8P_2^2} - \frac{13P_1^3}{16P_2^3} - \frac{55P_1^3}{512P_2^4} - \frac{11P_1^3}{32P_2P_4} - \frac{3P_1^3}{64P_2^2P_4} - \frac{7P_1^3}{128P_2^4} - \frac{P_4P_1^3}{32P_2^2P_8} + \frac{7P_1^2}{8P_2^2} + \frac{5P_1^2}{16P_2^2} + \frac{P_1^2}{4P_4} + \frac{P_1^2}{8P_2P_4} + \frac{P_1^2}{8P_4^2} - \frac{P_2P_1^2}{14P_7} - \frac{99P_1}{64P_2^2} + \frac{59P_1}{128P_2^2} + \frac{P_2P_1}{4P_4} - \frac{7P_1}{8P_4} + \frac{19P_1}{64P_2P_4} - \frac{9P_1^2P_4}{32P_2^4} + \frac{9P_2P_1}{64P_2^4} - \frac{P_4P_1}{8P_8} + \frac{3P_4P_1}{16P_2P_8} - \frac{1}{8P_1} + \frac{3}{8P_1^2} - \frac{128P_3}{128P_1^3} + \frac{1}{4P_1^4} - \frac{227}{3584P_1^5} + \frac{7}{8P_2} - \frac{16P_1P_2}{16P_1^2P_2} + \frac{16P_1^2P_2}{16P_1^3P_2} - \frac{256P_3^3P_2}{256P_1^3P_2} + \frac{5}{16P_2^2} - \frac{55}{512P_1P_2^2} + \frac{P_2}{4P_4} + \frac{1}{8P_4} - \frac{11P_2}{32P_1P_4} - \frac{64P_1P_4}{64P_1^2P_4} + \frac{3}{4P_1^2P_4} - \frac{128P_3^3P_4}{128P_1^3P_4} + \frac{P_2^2}{8P_4^2} - \frac{7P_2^2}{128P_1P_4^2} - \frac{P_4}{32P_1P_8} - \frac{P_2P_7}{14P_{14}}$
7	$-\frac{19P_1^8}{256P_2^7} + \frac{351P_1^7}{1024P_2^6} - \frac{913P_1^6}{1280P_2^5} - \frac{33P_1^6}{256P_2^6} - \frac{11P_1^6}{128P_2^4P_4} + \frac{53P_1^5}{64P_2^4} + \frac{171P_1^5}{256P_2^5} + \frac{185P_1^5}{512P_2^3P_4} - \frac{25P_1^4}{48P_2^3} - \frac{389P_1^4}{256P_2^4} - \frac{43P_1^4}{256P_2^5} - \frac{41P_1^4}{64P_2^2P_4} - \frac{11P_1^4}{128P_2^3P_4} - \frac{P_1^4}{16P_2P_4} - \frac{P_4P_1^4}{32P_2^3P_8} + \frac{P_1^3}{8P_2^2} + \frac{15P_1^3}{8P_2^2} + \frac{1024P_2^4}{16P_2P_4} + \frac{16P_2P_4}{64P_2^2P_4} + \frac{256P_2^4}{64P_2^2P_4} + \frac{64P_2^2P_8}{16P_2^2} - \frac{128P_2^3}{128P_2^3} - \frac{137P_1^2}{256P_2^4} - \frac{3P_1^2}{8P_4} - \frac{37P_1^2}{64P_2P_4} - \frac{21P_1^2}{64P_2^2P_4} - \frac{5P_1^2}{32P_2^4} - \frac{3P_2P_1^2}{64P_4^2} - \frac{P_2^2P_1^2}{8P_4^3} - \frac{P_1^2}{16P_8} + \frac{P_4P_1^2}{16P_2P_8} - \frac{5P_4P_1^2}{32P_2^2P_8} + \frac{P_1}{2P_2} + \frac{57P_1}{32P_2^2} + \frac{199P_1}{128P_2^2} - \frac{P_1}{6P_3} + \frac{P_1}{8P_3} + \frac{P_2P_1}{4P_4} + \frac{P_1}{4P_4} + \frac{229P_1}{256P_2P_4} - \frac{5P_2^2P_1}{16P_2^4} + \frac{25P_2P_1}{64P_4^2} + \frac{103P_2^3P_1}{384P_4^3} + \frac{P_1}{10P_5} - \frac{P_3P_1}{6P_6} + \frac{P_3^2P_1}{8P_6^2} - \frac{P_4P_1}{4P_8} + \frac{5P_2P_1}{32P_8} + \frac{5P_4P_1}{16P_2P_8} + \frac{P_5P_1}{P_5P_1} + \frac{P_6P_1}{P_6P_1} - \frac{1}{25} - \frac{53}{913} - \frac{351}{19} - \frac{23}{15} - \frac{389}{171} - \frac{33}{171} + \frac{10P_{10}}{213} + \frac{12P_{12}}{949} + \frac{8P_1}{43} - \frac{48P_2^2}{137} + \frac{64P_1^4}{3P_2} - \frac{1280P_4^4}{64P_4} + \frac{1024P_5^5}{37} - \frac{256P_6^6}{9P_2} - \frac{16P_2}{29} + \frac{8P_1P_2}{41P_2} - \frac{256P_2^2P_2}{41P_2} - \frac{256P_3^3P_2}{11} - \frac{256P_4^4P_2}{185P_2} - \frac{128P_2^2}{128P_2^2} + \frac{1024P_1P_2^2}{256P_1^2P_2^2} - \frac{256P_2^3}{256P_2^3} - \frac{8P_4}{64P_4} + \frac{16P_1P_4}{16P_1P_4} + \frac{64P_1P_4}{64P_1^2P_4} - \frac{128P_1^2P_4}{128P_1^2P_4} + \frac{512P_1^3P_4}{512P_1^3P_4} - \frac{11P_2}{128P_1^4P_4} - \frac{21}{64P_2P_4} - \frac{5P_2}{32P_2^4} - \frac{3P_2^2}{64P_4^2} + \frac{55P_2^2}{256P_1P_4^2} - \frac{P_2^2}{16P_1^2P_4^2} - \frac{P_2^3}{8P_4^3} - \frac{P_2}{16P_8} + \frac{P_4}{16P_8} + \frac{5P_4}{64P_1P_8} - \frac{P_4}{32P_1^2P_8} - \frac{5P_4}{32P_2P_8}$

We compute h_g explicitly for $2 \leq g \leq 7$; see Table A.1. For scale, h_5 is computed as a sum over 96 graphs and takes 8 minutes to compute on a home laptop, while h_7 is computed as a sum over 2789 graphs and takes just under 3 days to compute on a home laptop. Figure A.1 contains the calculation of h_2 as a sum over three graphs – compare with [20, Example 8.3].

We extract from this data exponential generating functions for the numerical weight zero compactly supported Euler characteristic by setting P_1 to $1 + t$ and all other P_i to 1; see Table A.2. We display these Euler characteristics for $0 \leq n \leq 10$ in Table A.3.

C	P_C	Contribution to \mathfrak{h}_2
		$\frac{1}{12} \left(-\frac{P_1^3}{P_2^2} - \frac{2P_1^2}{P_3} + \frac{6P_1}{P_2} - \frac{2P_2P_3}{P_6} - \frac{1}{P_1} \right)$
		$\frac{1}{8} \left(\frac{2P_1P_2}{P_4} - \frac{P_1^3}{P_2^2} - \frac{1}{P_1} \right)$
		$\frac{1}{8} \left(\frac{1}{P_1} + \frac{P_1^3}{P_2^2} - \frac{2P_1P_2}{P_4} \right)$

Figure A.1. The three trees C in $T_6^{<3}$, their associated covers P_C , and the contribution of $P_C \rightarrow C$ to \mathfrak{h}_2 as in Theorem A. The generating function \mathfrak{h}_2 is the sum of the three contributions. Note that the contributions in the second and third rows cancel.

Table A.2. The exponential generating functions for numerical weight zero compactly supported Euler characteristics of $\mathcal{H}_{g,n}$.

g	$\sum_{n \geq 0} \frac{t^n}{n!} \left(\sum_{i=0}^{4g+2n-2} (-1)^i \dim_{\mathbb{Q}} W_0 H_C^i(\mathcal{H}_{g,n}; \mathbb{Q}) \right)$
2	$-\frac{t^2}{12(1+t)} (6 + 6t + t^2)$
3	$-\frac{t^2}{16(1+t)^2} (8 + 16t + 12t^2 + 4t^3 + t^4)$
4	$-\frac{t^2}{480(1+t)^3} (240 + 720t + 960t^2 + 720t^3 + 386t^4 + 146t^5 + 27t^6)$
5	$-\frac{t^2}{192(1+t)^4} (96 + 384t + 736t^2 + 864t^3 + 748t^4 + 504t^5 + 246t^6 + 74t^7 + 11t^8)$
6	$-\frac{t^2}{3584(1+t)^5} (1792 + 8960t + 22400t^2 + 35840t^3 + 43232t^4 + 41888t^5 + 32096t^6 + 18272t^7 + 7268t^8 + 1828t^9 + 227t^{10})$
7	$-\frac{t^2}{15360(1+t)^6} \left(7680 + 46080t + 142080t^2 + 288000t^3 + 446720t^4 + 565760t^5 + 587520t^6 + 485120t^7 + 308936t^8 \right. \\ \left. + 146832t^9 + 49551t^{10} + 10695t^{11} + 1140t^{12} \right)$

Table A.3. The weight zero compactly supported Euler characteristic of $\mathcal{H}_{g,n}$ for $2 \leq g \leq 7$, and $0 \leq n \leq 10$.

$\begin{matrix} n \\ g \end{matrix}$	0	1	2	3	4	5	6	7	8	9	10
2	0	0	-1	0	-2	10	-60	420	-3360	30240	-302400
3	0	0	-1	0	-6	30	-225	1890	-17640	181440	-2041200
4	0	0	-1	0	-12	60	-579	5586	-59220	684180	-8557920
5	0	0	-1	0	-20	100	-1245	13230	-157500	2022300	-27877500
6	0	0	-1	0	-30	150	-2385	27090	-361080	5099760	-76856850
7	0	0	-1	0	-42	210	-4200	49980	-745920	11460960	-187595730

Acknowledgements. We are grateful to Dan Abramovich for teaching us about twisted stable maps and admissible G -covers, and to Jonas Bergström for explaining his work [6] and sharing his data on the weight zero compactly supported Euler characteristic of $\mathcal{H}_{g,n}$. Jonas Bergström, Dan Petersen and Dhruv Ranganathan provided extremely valuable comments on a draft of this paper; we thank them very much. Finally, we sincerely thank two anonymous referees who combed through our manuscript and provided incisive and thorough comments throughout.

Competing interest. The authors have no competing interest to declare.

Financial Support. MB is supported by the National Science Foundation under Award No. 2001739. MC was supported by NSF CAREER DMS-1844768, a Sloan Foundation Fellowship and a Simons Foundation Fellowship. SK was supported by an NSF Graduate Research Fellowship. Any opinions, findings and conclusions or recommendations expressed in this material are those of the authors and do not necessarily reflect the views of the National Science Foundation.

References

- [1] D. Abramovich, L. Caporaso and S. Payne, ‘The tropicalization of the moduli space of curves’, *Ann. Sci. Éc. Norm. Supér. (4)* **48**(4) (2015), 765–809.
- [2] D. Abramovich, A. Corti and A. Vistoli. ‘Twisted bundles and admissible covers’, *Comm. Algebra* **31**(8) (2003), 3547–3618. Special issue in honor of Steven L. Kleiman.
- [3] D. Abramovich and A. Vistoli, ‘Compactifying the space of stable maps’, *J. Amer. Math. Soc.* **15**(1) (2002), 27–75.
- [4] F. Ardila and C. J. Klivans, ‘The Bergman complex of a matroid and phylogenetic trees’, *J. Combin. Theory Ser. B* **96**(1) (2006), 38–49.
- [5] M. Baker and S. Norine, ‘Harmonic morphisms and hyperelliptic graphs’, *Int. Math. Res. Not.* **2009**(15) (2009), 2914–2955.
- [6] J. Bergström, ‘Equivariant counts of points of the moduli spaces of pointed hyperelliptic curves’, *Doc. Math.* **14** (2009), 259–296.
- [7] J. Bergström, A. Diaconu, D. Petersen and C. Westerland, ‘Hyperelliptic curves, the scanning map, and moments of families of quadratic L-functions’, Preprint, 2023, [arXiv: 2302.07664](https://arxiv.org/abs/2302.07664).
- [8] J. Bergström, E. W. Howe, E. L. García and C. Ritzenthaler, ‘Lower bounds on the maximal number of rational points on curves over finite fields’, Preprint, 2022, [arXiv: 2204.085512](https://arxiv.org/abs/2204.085512).
- [9] J. Bertin and M. Romagny, ‘Champs de Hurwitz’, *Mém. Soc. Math. Fr. (N.S.)* 2011(125–126) (**2011**), 219.
- [10] C. Bibby, M. Chan, N. Gadish and C. H. Yun, ‘Homology representations of compactified configurations on graphs applied to $\mathcal{A}_{2,n}$ ’, *Exp. Math.* (2023).
- [11] C. Bibby, M. Chan, N. Gadish and C. H. Yun, ‘A Serre spectral sequence for the moduli space of tropical curves’, Preprint, 2023, [arXiv: 2307.01960](https://arxiv.org/abs/2307.01960).
- [12] L. J. Billera, S. P. Holmes and K. Vogtmann, ‘Geometry of the space of phylogenetic trees’, *Adv. in Appl. Math.* **27**(4) (2001), 733–767, 2001.
- [13] G. Bini, ‘The Euler characteristics of $\mathcal{H}_{g,n}$ ’, *Topology Appl.* **155**(2) (2007), 121–126.
- [14] M. Brandt, Github, https://github.com/madelinevbrandt/H_gn.
- [15] M. Brandt, J. Bruce, M. Chan, M. Melo, G. Moreland and C. Wolfe, ‘On the top-weight rational cohomology of \mathcal{A}_g ’, to appear in *Geometry and Topology*, 2022.
- [16] S. Canning and H. Larson, ‘The rational chow rings of moduli spaces of hyperelliptic curves with marked points’, Preprint, 2022, [arXiv: 2207.10873](https://arxiv.org/abs/2207.10873).
- [17] L. Caporaso, ‘Gonality of algebraic curves and graphs’, in *Algebraic and Complex Geometry* (Springer Proc. Math. Stat.) vol. 71 (Springer, Cham, 2014), 77–108.
- [18] R. Cavalieri, H. Markwig and D. Ranganathan, ‘Tropicalizing the space of admissible covers’, *Math. Ann.* **364**(3–4) (2016), 1275–1313.
- [19] M. Chan, ‘Tropical hyperelliptic curves’, *J. Algebraic Combin.* **37**(2) (2013), 331–359.
- [20] M. Chan, C. Faber, S. Galatius and S. Payne, ‘The S_n -equivariant top weight Euler characteristic of $\mathcal{M}_{g,n}$ ’, *Amer. J. Math.* **145**(5) (2023), 1549–1585.
- [21] M. Chan, S. Galatius and S. Payne, ‘Tropical curves, graph complexes, and top weight cohomology of \mathcal{M}_g ’, *J. Amer. Math. Soc.* **34** (2021), 565–594.
- [22] M. Chan, S. Galatius and S. Payne, ‘Topology of moduli spaces of tropical curves with marked points’, in *Facets of Algebraic Geometry. Vol. 1* (London Math. Soc. Lecture Note Ser.) vol. 472 (Cambridge Univ. Press, Cambridge, 2022), 77–131.
- [23] J. Conant, F. Gerlits and K. Vogtmann, ‘Cut vertices in commutative graphs’, *Q. J. Math.* **56**(3) (2005), 321–336.
- [24] D. Petersen (<https://mathoverflow.net/users/1310/dan-petersen>), ‘Vanishing of homology for hyperelliptic locus’, MathOverflow. <https://mathoverflow.net/q/289339> (version: 2017-12-26).
- [25] V. Delecroix, J. Schmitt and J. van Zelm, ‘admcycles—a Sage package for calculations in the tautological ring of the moduli space of stable curves’, *J. Softw. Algebra Geom.* **11**(1) (2021), 89–112.
- [26] P. Deligne, ‘Théorie de Hodge. II’, *Inst. Hautes Études Sci. Publ. Math.* **40** (1971), 5–57.
- [27] W. Fulton, ‘Hurwitz schemes and irreducibility of moduli of algebraic curves’, *Ann. of Math. (2)* **90** (1969), 542–575.
- [28] M. Galeotti, ‘Birational geometry of moduli of curves with an S_3 -cover’, *Adv. Math.* **389** (2021), Paper No. 107898, 39.
- [29] M. Galeotti, ‘Moduli of G -covers of curves: geometry and singularities’, *Ann. Inst. Fourier (Grenoble)* **72**(6) (2022), 2191–2240.
- [30] E. Gorsky, ‘On the S_n -equivariant Euler characteristic of moduli spaces of hyperelliptic curves’, *Math. Res. Lett.* **16**(4) (2009), 591–603.

- [31] E. Gorsky, 'The equivariant Euler characteristic of moduli spaces of curves', *Adv. Math.* **250** (2014), 588–595.
- [32] J. Harris and D. Mumford, 'On the Kodaira dimension of the moduli space of curves', *Invent. Math.* **67**(1) (1982), 23–88. With an appendix by William Fulton.
- [33] T. Hausel and F. Rodriguez-Villegas, 'Mixed Hodge polynomials of character varieties', *Invent. Math.* **174**(3) (2008), 555–624. With an appendix by Nicholas M. Katz.
- [34] S. Horvát, J. Podkalicki, G. Csárdi, T. Nepusz, V. Traag, F. Zanini and D. Noom, 'Igraph/m: graph theory and network analysis for mathematica', *Journal of Open Source Software* **8**(81) (2023), 4899.
- [35] A. Hurwitz, 'Ueber Riemann'sche Flächen mit gegebenen Verzweigungspunkten', *Math. Ann.* **39**(1) (1891), 1–60.
- [36] T. J. Jarvis, R. Kaufmann and T. Kimura, 'Pointed admissible G -covers and G -equivariant cohomological field theories', *Compos. Math.* **141**(4) (2005), 926–978.
- [37] Y. Len, M. Ulirsch and D. Zakharov, 'Abelian tropical covers', *Mathematical Proceedings of the Cambridge Philosophical Society* (2023), 1–22.
- [38] I. G. Macdonald, *Symmetric Functions and Hall Polynomials* (Oxford Mathematical Monographs), second edn. (The Clarendon Press, Oxford University Press, New York, 1995). With contributions by A. Zelevinsky, Oxford Science Publications.
- [39] J. S. Milne, 'Lectures on étale cohomology (v2.21)', 2013. Available at www.jmilne.org/math/.
- [40] S. Mochizuki, 'The geometry of the compactification of the Hurwitz scheme', *Publ. Res. Inst. Math. Sci.* **31**(3) (1995), 355–441.
- [41] D. Petersen, 'The operad structure of admissible G -covers', *Algebra Number Theory* **7**(8) (2013), 1953–1975.
- [42] A. Robinson and S. Whitehouse, 'The tree representation of Σ_{n+1} ', *J. Pure Appl. Algebra* **111**(1–3) (1996), 245–253.
- [43] M. Roth and R. Vakil, 'The affine stratification number and the moduli space of curves', in *Algebraic Structures and Moduli Spaces* (CRM Proc. Lecture Notes) vol 3 (Amer. Math. Soc., Providence, RI, 2004), 213–227.
- [44] J. Schmitt and J. van Zelm, 'Intersections of loci of admissible covers with tautological classes', *Selecta Math. (N.S.)* **26**(5) (2020), Paper No. 79, 69.
- [45] R. P. Stanley, *Enumerative Combinatorics. Vol. 2* (Cambridge Studies in Advanced Mathematics) vol. 62 (Cambridge University Press, Cambridge, 1999). With a foreword by Gian-Carlo Rota and appendix 1 by Sergey Fomin.
- [46] O. Tommasi, 'Geometry of discriminants and cohomology of moduli spaces', PhD thesis, Radboud Universiteit Nijmegen, 2005.