

# CARPETS

for aircraft, passenger reception, airline offices, flying clubs, etc.

All leading makes of Branded Carpets  
**WILTONS · AXMINISTERS · TUFTED · ORIENTALS**

at Highly Competitive contract prices

Expert fitting service and free delivery throughout UK  
**OVER £200,000 STOCKS** in our London showrooms  
*Private individuals in the aircraft industry may purchase from us at up to 30% DISCOUNT*

**DODSON BULL CARPET CO. LTD.**

Please write to Dept. R.A.S.

**LONDON:** 5 & 6, Old Bailey, EC4M 7JD. Tel: 01-248 7971  
**BIRMINGHAM:** 104, Edmund St., B3 2HB. Tel: (021) 236 5862  
**BOURNMOUTH:** 268, Old Christchurch Rd., BH1 1PH. Tel: 21248  
**BRIGHTON:** 2-5, North Road, BN1 1YA. Tel: 66402  
**BRISTOL:** 2-3 Royal London Hse, Queen Charlotte St. BS1 4EX. Tel: 28857  
**EXETER:** 157, Fore St., EX4 3AT. Tel: 32019  
**GLASGOW:** 166, Howard St., G1 4HA. Tel: (041) 221 3278  
**LEEDS:** 12, Great George St., LS1 3DW. Tel: 41451  
**MANCHESTER:** 55-57, Lever St., M1 1DE. Tel: (061) 236 3687/8/9  
**NEWCASTLE-upon-TYNE:** 90-92, Pilgrim St., NE1 6SG. Tel: 20321/21428  
**WESTCLIFF-on-SEA:** 495, London Rd., SS0 9LG. Tel: Southend 46569  
 Open: 9.00-5.30 Mon.-Fri., Sat. 9.00-12.00 (Manchester 9.00-4.00)



UNIVERSITY OF SOUTHAMPTON  
 DEPARTMENT OF AERONAUTICS AND  
 ASTRONAUTICS

## Senior Research Fellow or Research Fellow

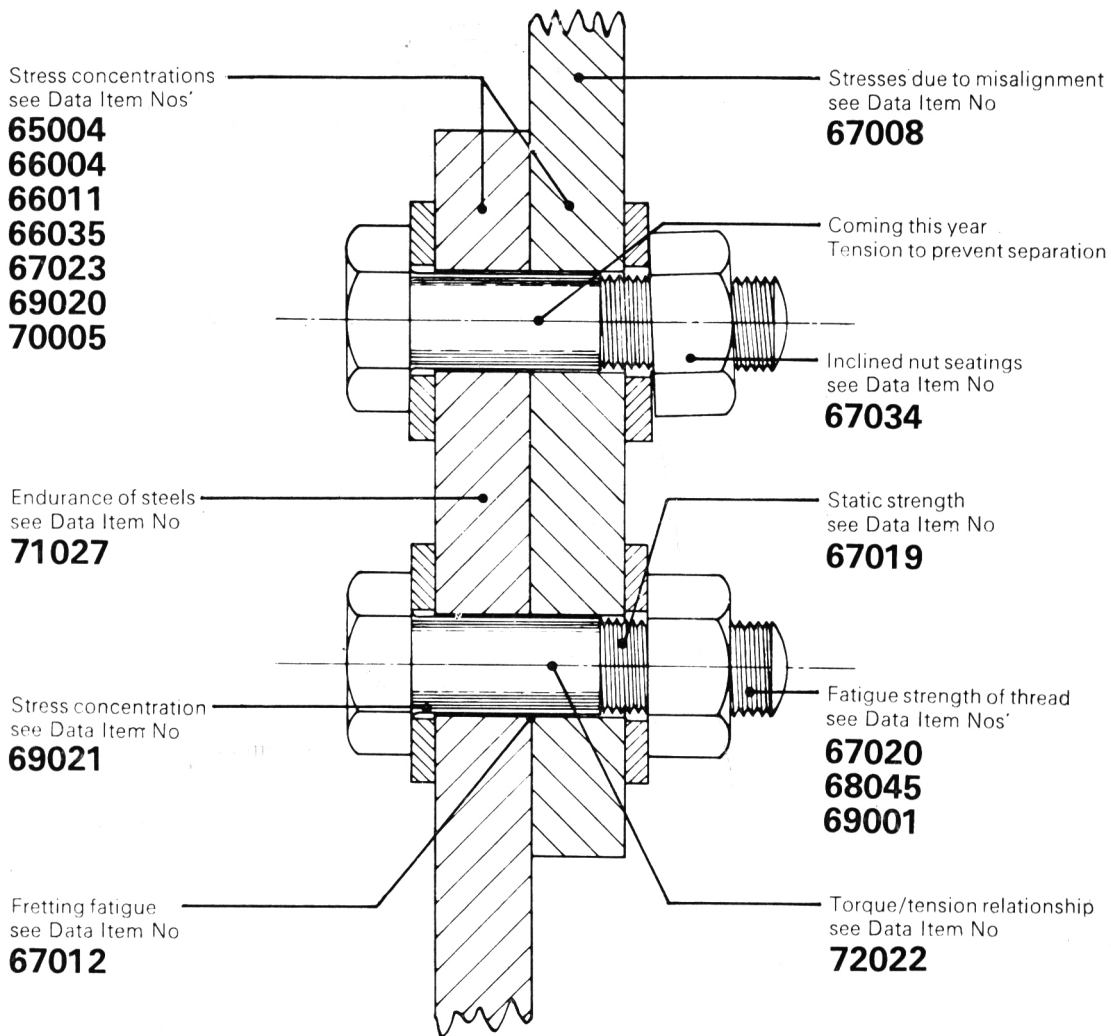
Applications are invited for a Research Fellow to investigate the spray from motor vehicles and to explore methods for its minimisation. The research is part of a continuing programme having a strong experimental bias and is aimed at improving the understanding of the basic mechanisms and pointing to practical solutions of the spray problem.

The research is postdoctoral but candidates without a PhD but who have equivalent experience may apply. Salary will be dependent on qualifications and experience and is within the range £2100-£4000 per annum, plus threshold payments and FSSU benefits.

Applications, including curriculum vitae and the names of two referees, should be sent to D. A. S. Copland, (Ext. 2400), The University, Southampton SO9 5NH, quoting reference no. 323/R/AJ. The closing date for applications is 28th February 1975.



Publications of  
 The  
 Royal Aeronautical Society  
 available from  
 4 Hamilton Place  
 London W1V 0BQ  
 Tel: 01-499 3515-9



# Get it right-first time!

Design engineers need accurate, reliable information on which to base their designs and specifications. But much of the information available in essential areas is conflicting. Values for vital parameters such as pressure drops or stress concentrations in one source often differ widely from those in another.

Unless you choose the *best* values, you risk over-specifying materials and dimensions, with consequent cost penalties. Or you may under-specify, which could lead to unscheduled stoppages and breakdowns.

Engineering Sciences Data Unit can help you to get things right, first time.

ESDU produces thoroughly evaluated and authoritative engineering design data in chemical, mechanical, structural and

aeronautical engineering. Committees of practising engineers and scientists monitor and guide qualified ESDU staff who sift and evaluate all the available data on each topic. Sometimes hundreds of separate references are involved.

ESDU issues the results of this work as Data Items in which information is presented in a way best suited to the engineer. Graphs, tables, flow charts, equations and presentation in both British and SI units are all combined to help you to get your design and specifications drawn up precisely and accurately.

ESDU's work is sponsored by the Institutions of Chemical, Mechanical and Structural Engineers and by the Royal Aeronautical Society.

Users of ESDU Data Items may become Associates of ESDU. As an Associate, you would be entitled to a range of valuable services.

All the Data Items currently available are listed in our Index. If you would like to know more about ESDU, and which Data Items might suit your particular applications, we shall be happy to send you with our compliments a copy of the Index and details of ESDU's services.

**For all your sales enquiries, write or phone:**

**Engineering Data Sales Limited  
34 Haymarket  
London SW1Y 4HZ  
United Kingdom  
01-839 3002**

