

THE HIPPARCOS IMAGE

J-Y. Le Gall and M. Saisse
Laboratoire d'Astronomie Spatiale
Traverse du Siphon, Les Trois Lucs
13012, Marseille, France

Abstract :

One presents hereafter the HIPPARCOS satellite payload which is mainly constituted by a Schmidt telescope; a possible way to approximate the Schmidt mirror elliptic deformation profile is explained. Then, the signal expected from the optical chain is briefly described and one displays a residual chromatic effect which may introduce errors in the measure. To conclude, numerical values of this effect are given and one shows the necessity to take it into account in the data reduction process.

1. INTRODUCTION

The space Astrometry mission HIPPARCOS of the European Space Agency aims to build a catalog of the astrometric parameters (parallaxes, proper motion and positions) of 100,000 stars [1]. The Laboratoire d'Astronomie Spatiale is involved in this project as the responsible of optics analysis and develops, in close cooperation with Italian and Dutch Institutes, a mathematical model of the payload for the Data Reduction Consortium FAST [2]. One presents hereafter the results obtained during these last months and one shows the parameters which shall be studied very carefully in the future.

2. THE PAYLOAD

2. 1. Description

The sky is observed by a special telescope with two ways allowing to observe two fields of 0.9 degree by 0.9 degree separated by an angle of about 58 degrees [3]. An observed star is imaged on a modulation grid located on a field lens. Its image is transported by a relay optics and a detector determines the intensity then observed.

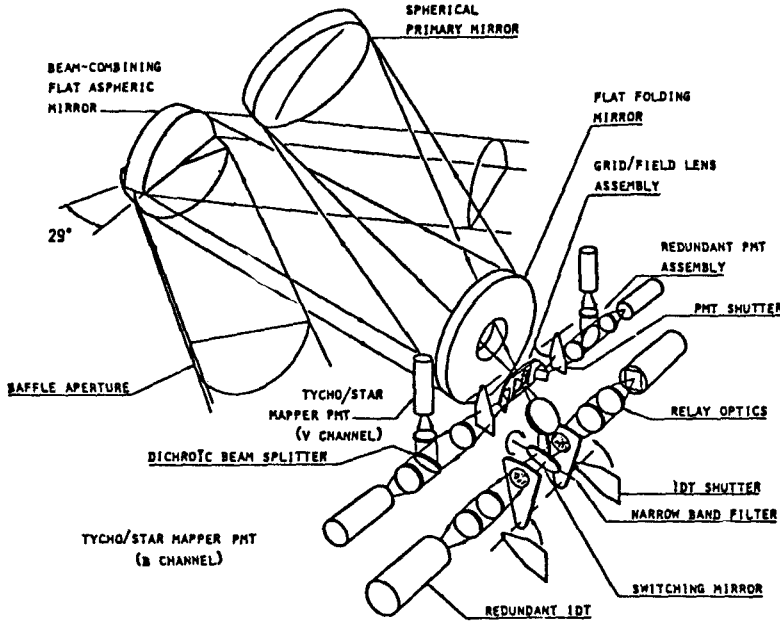


Figure 1 . The payload including the special telescope with two fields separated by 58 degrees.

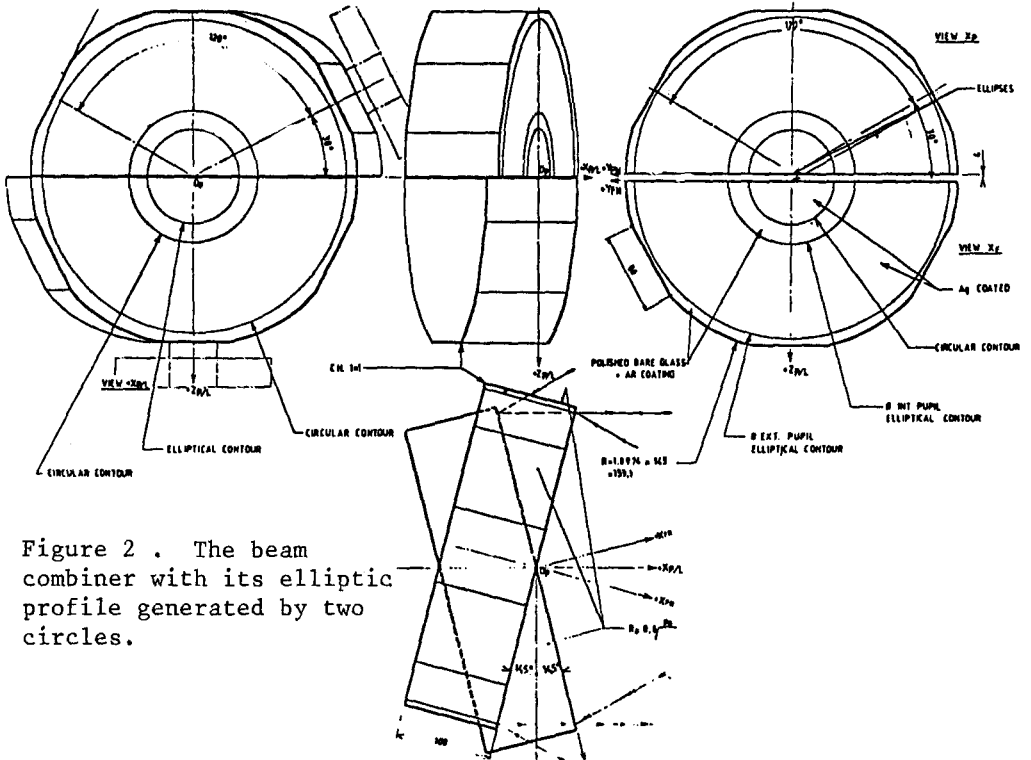


Figure 2 . The beam combiner with its elliptic profile generated by two circles.

By knowing the separation angle of the two fields of view and the location of two stars on the grid, one can deduce the separation angle between the two stars. The final objective of the HIPPARCOS mission is to determine this angle with an accuracy of 2 milliarcseconds (after processing of the raw data expected from the satellite).

2. 2. The SCHMIDT telescope

The telescope which is an "All-Reflective" Schmidt system is formed by the Schmidt mirror which also insures the role of "beam combiner", so it works with a relatively strong incidence (14.5 degrees), a flat mirror devoted to fold back the system in order to adapt it to the satellite size constraints and the spheric mirror (figure 1). The Schmidt mirror working with a high incidence consequently it ought to have an elliptic deformation profile [4]. Such a profile is in fact very difficult to realize, regarding the optics dimensions and taking into account the manufacturing tolerances ($\lambda/60$ r.m.s on the wavefront, mirror diameter = 290 mm, telescope focal length = 1400 mm).

Incidentally, after the polishing, the system will have to be cut out in two equal parts (one by half pupil). In fact, the optical study showed that the utilization of the mirror having a revolution profile was acceptable, the elliptic form of the deformation profile being obtained in slightly decentring each half-pupil [5]. (figure 2)

2. 3. Grid, relay optics and detector

The grid located on the telescope focal surface is periodic, its period being equal to 1. 2 arcsecond on the sky which corresponds to a physical stepsize of 8 micrometers. So, the light falling down on the grid is modulated and, regarding the grid stepsize, diffracted. Then, the relay optics conjugates the grid surface with that of the detector ; The detector is an image dissector tube which counts photons. Its instantaneous field of view is about of 30 arcseconds of diameter and will be steered by the board computer. This kind of detector reduces the background noise and limits the confusion which would result from the surimposition of the light coming from different stars.

3. THE SIGNAL

In this paragraph we will assume the detector is perfect, the relay optics is without aberrations and collects the whole light diffracted by the grid and the system is monodimensional. If D is the signal due to the detector, T the distribution of intensity on the grid for a given wave-length and G the grid transmittance, it can be shown that D is the convolution of T by G : $D = T * G$ [6]

3. 1. Analytical expression

We can then deduce $FT(D) = FT(T) \cdot FT(G)$ where FT denotes the Fourier

Transform . As the grid has a periodic profile constituted with battlements, its Fourier Transform has only discrete terms corresponding to the frequencies $n \cdot \nu$ (ν is the grid frequency, $\nu = 125 \text{ mm}^{-1}$). Incidentally, FT (T) is the telescope optical transfer function. Taking into account the pupil dimensions, the cut-frequency is between 2ν and 3ν over the interesting range of wavelength. Let a_0, a_1, a_2 be the values of FT (G) for the frequencies $0, \nu$ and 2ν . Let $M_1 \cdot \exp(j \nu_1)$ and $M_2 \cdot \exp(j \nu_2)$ be the values of the normalized optical transfer function to the frequencies ν and 2ν . So the Fourier transform of D has only discrete terms, the values of which are a_0 for the continuum, $a_1 \cdot M_1 \cdot \exp(j \nu_1)$ for the frequency ν and $a_2 \cdot M_2 \cdot \exp(j \nu_2)$ for the frequency 2ν . So, the signal D can be written :

$$D = a_0 + a_1 \cdot M_1 \cdot \cos(2 \pi \nu x + \nu_1) + a_2 \cdot M_2 \cdot \cos(4 \pi \nu x + \nu_2)$$

introducing $x_1 = x + \frac{\nu_1}{2 \pi \nu}$ and $x_2 = x + \frac{\nu_2}{4 \pi \nu}$, it comes :

$$D = a_0 + a_1 \cdot M_1 \cdot \cos(2 \pi \nu x_1) + a_2 \cdot M_2 \cdot \cos(4 \pi \nu x_2)$$

This function depends :

* on x , that is to say on the angular coordinates of the considered star.

* on the starlight spectral distribution

3. 2. The CHROMATICITY

Let us consider now a geometrical point of the object field and take a blue star. The abscissa over the grid will be x_B and the phase corresponding to the first harmonic will be ν_{1B} .

In these conditions :

$$x_{1B} = x_B + \frac{\nu_{1B}}{2 \pi \nu}$$

Let us place now a red star in the same geometrical point. With the same conventions as before :

$$x_{1R} = x_R + \frac{\nu_{1R}}{2 \pi \nu}$$

Now, let us calculate $x_{1B} - x_{1R}$:

$$x_{1B} - x_{1R} = x_B - x_R + \frac{1}{2 \pi \nu} (\nu_{1B} - \nu_{1R})$$

The difference $C = x_B - x_R$ corresponds to the usually defined lateral chromatism ; incidentally, and the computation will verify it, ν_{1B} and ν_{1R} have no reason to be equal.

Let us put now :
$$X = \frac{1}{2 \pi \nu} (\nu_{1B} - \nu_{1R})$$

We find again a new parameter [7] introduced by the studies carried out at the ESTEC, which has been called CHROMATICITY. This parameter whose values depends on the spatial frequency induces, in the absence of classical chromatism, a residual chromatic effect in the images formation

process; It is due to the repartition of the energy in the diffraction "rings" which depends on the wavelength.

3.3. Numerical results

The LASSO software has been especially developed to compute the CHROMATICITY. One made this software because the classical ones are not efficient enough to compute the CHROMATICITY with a sufficient accuracy (0.1 milliarcsecond). Moreover, a complete telescope analysis asks to modelize the thermo-mechanical effects and creates a lot of calculations which constraint the program to a very short execution time. The results obtained showed that the CHROMATICITY of the nominal instrument (theoretical values for the components profile and position) is of 1 milliarcsecond all over the field of view [8]. It has been established that the CHROMATICITY values depend on the payload thermo-mechanical conditions and least cases of distorted instrument have been evaluated to define the extreme conditions which will be endured by the payload.

4. CONCLUSION

This very quick study of the HIPPARCOS image showed the utilization of a Schmidt telescope in Space Astrometry. The results already established allowed the design of the telescope and displayed the CHROMATICITY. This effect appeared as a milestone in the data acquisition. Now, further investigations are undertaken to determine its real values and to propose solutions which might minimize its impact on the whole mission.

5. REFERENCES

- 1 : Bacchus, P. et Lacroute, P.; Prospects of Space Astrometry
New problem of astrometry, p. 277-282, IAU Symposium N° 61,
Perth, 1973.
- 2 : FAST CONSORTIUM; Proposal for Scientific Data Processing,
ESA HIP 81/02, 1981
- 3 : Kovalevsky, J., The Satellite Hipparcos, p 15-20, ESA SP-177
Strasbourg, 1982
- 4 : Lemaitre, G. Optique astronomique et élastique, thèse d'Etat,
Marseille 1974
- 5 : Lindegren, L., The All-Reflective Eccentric Schmidt (ARES),
Lund, 1982
- 6 : Le Gall, J.Y, L'image de diffraction polychromatique de la mission
d'astrométrie spatiale HIPPARCOS, Thèse de Docteur-Ingénieur
Paris, 1983

- 7 : Vaghi, S., Astrometry Satellite. Apparent displacement of star photocentres. MAD Working Paper n° 95 (ESOC, May 1979)
- 8 : Saisse, M. Preliminary results on ARS OTF with elliptical pupil on the complex mirror, Marseille, 1982.